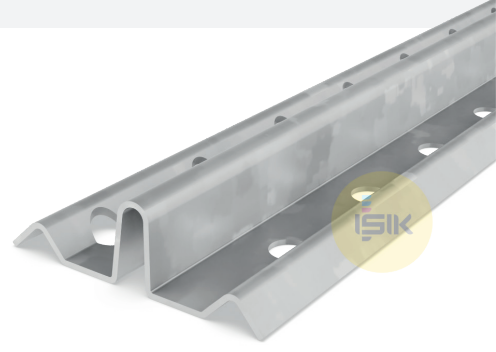


DECLARATION of PERFORMANCE

In accordance with the EU Construction Product Regulation 305/2011
Reference No: DOP.G1400
Revision No: 00

G1400 Depth Gauge Bead



1. Unique identification code of the product type

G14005501

2. Intended use of the construction product

Corner Bead for Interior Plastering

3. Construction product in accordance with applicable harmonised specifications

EN 13658-1: 2005

4. System of assesment and verification of consistency of performance, as set out in Annex ZA

**System 4 : For Essential Characteristics
System 4 : For Reaction to Fire**

5. Reaction of fire

Class A1

6. Dangerous substances

NDP "No Performance Determined."

7. Manufacturer

IŞIK Perde Rayları San. ve Tic. A.Ş.
Gebze Plastikçiler OSB 11. Cadde
No:9 Gebze/KOCAELİ TÜRKİYE

The performance of this product is in conformity with the declared performance. This declaration of performance is issued under sole responsibility of the the named manufacturer.

Signed for behalf of the manufaturer by

Zafer YILMAZ / Factory Manager
Gebze Kocaeli, 30.04.2020



MANUFACTURER:
Gebze Plastikçiler OSB, Atatürk Bulvarı 11.
Cad. No:9 Gebze 41400, Kocaeli - Türkiye
T: +90 262 502 16 60
isikgroup.com