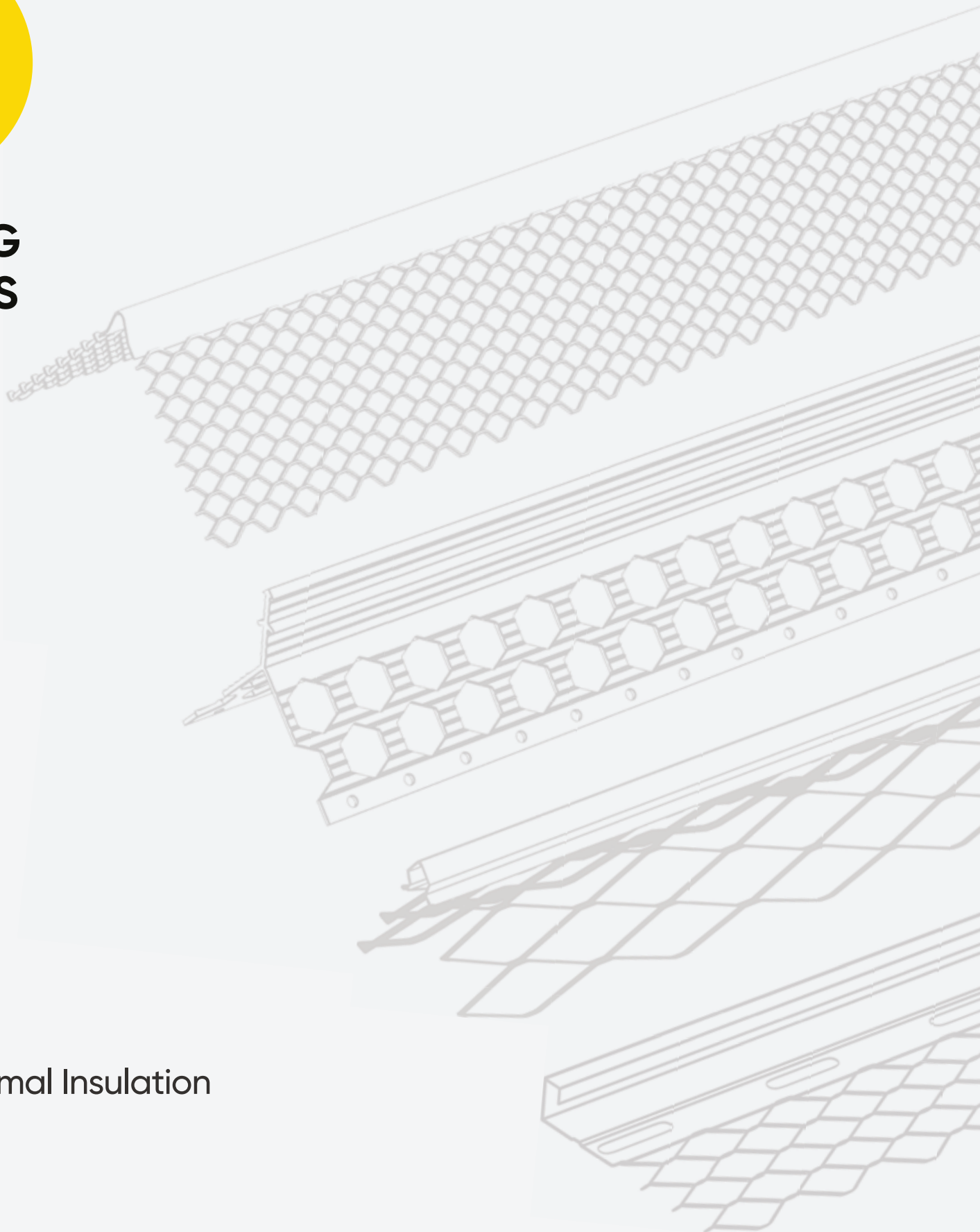




BUILDING PROFILES



-  Plaster
-  Dry Lining
-  External Thermal Insulation



Content

Işık Group

General & Technical Information

Plaster

Corner Beads

Stop Beads

Base Profiles

Depth Gauge Beads

Dry Lining

Corner Beads

Stop Beads

Edging Beads

External Thermal Insulation

Base Profiles

Corner Beads with Mesh

Drip Beads



Efforts for Better
9.000 sqm plant,
Gebze,Kocaeli | TURKEY

Reliable Manufacturer

In our Kocaeli facility, our experienced production team working day and night to keep constant production in extrusion, steel and fibre mesh corner to aim quality like how we promise to our partners because our reliable production is our significative feature for abroad and domestic market.

Long-term Supplier

As a more than a half-century company, we aware that our commercial relationship between our clients needs to be on a win-win situation that's our first mentality since our establishment. We are showing our finest effort on service and quality to increase mutual benefits with our partners.

Products with Quality

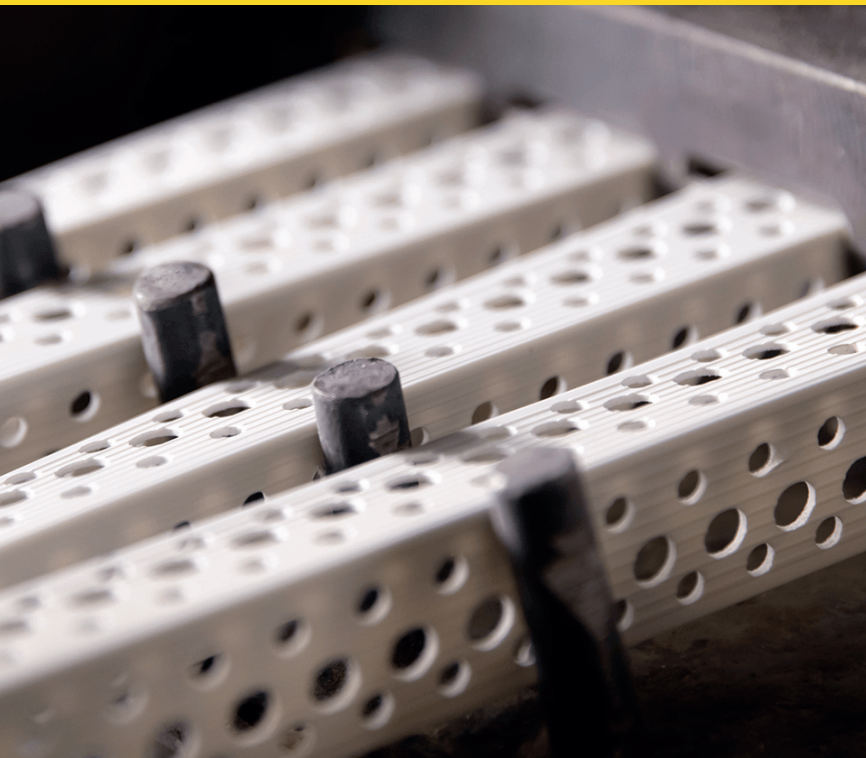
In our type of manufacturing system, quality control is the most important hallmark to keep persistence in the production department. Our standards need to meet up with EN Standards, for instance, the thickness, wing dimension, and packaging of the profiles. We are aware that, these quality standards are made difference and directly affect our partners' businesses. We develop our quality department every day to cath these standards and serve the best to our partners.

Fast & Good Service

Our company mentality focuses on delivering the goods on time with promised quality that's the reason our supply and production chain system created to answer our partners' needs the shortest time. Fast service means happy customers and more profitable businesses for them!

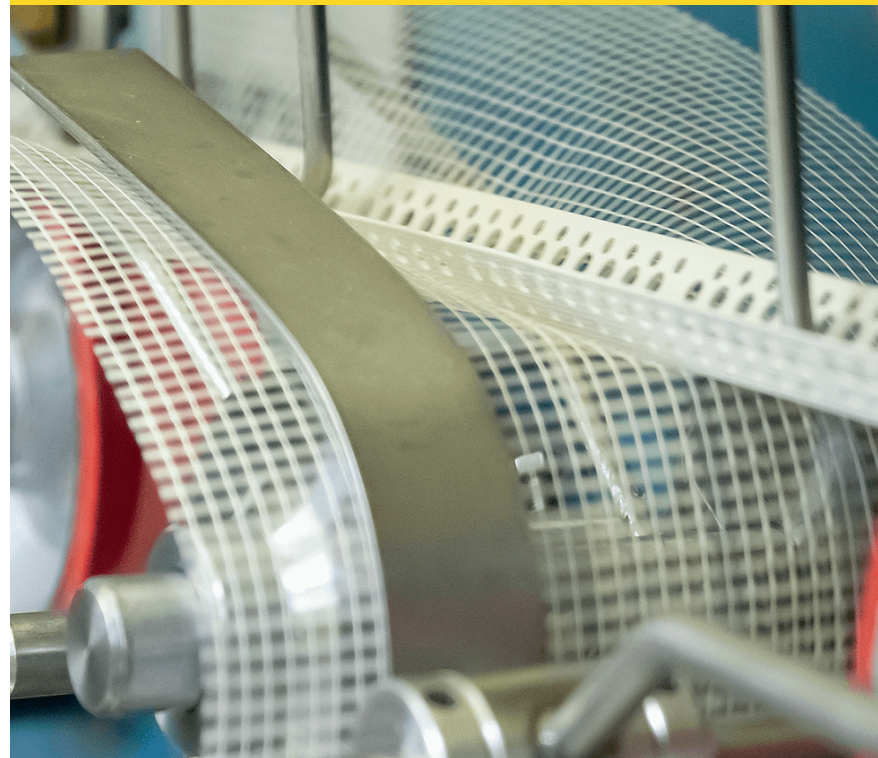
PVC EXTRUSION

7.000
tons per year



CORNER BEADS WITH MESH

54.000.000
meters per year





METAL BEADS
5.500
tons per year

WAREHOUSE
1.500
pallettes capacity



Make sure that you choose the most suitable profile material and plaster mortar according to the application area to avoid excessive risks, claims and consequential damage.

To prevent bimetallic corrosion, ensure that all metal components used in a given installation are of the same material type.

Please ensure sufficient aeration to prevent corrosion and accelerate the drying time.

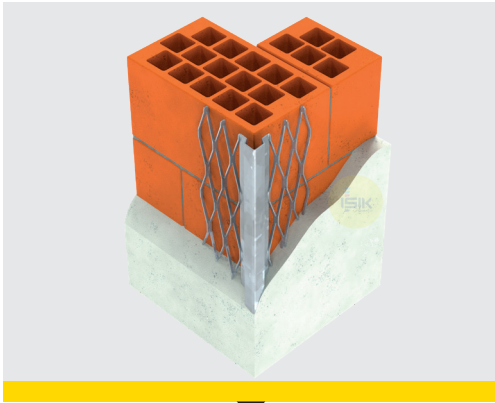
Avoid damage to beads when trowelling plaster or render.

Care should also be taken to prevent mechanical damage to the galvanised coating.

The substrate must be dry, clean, dust-free and absorbent and load-bearing in accordance with the requirements of the plaster coats to be applied.

The wall surface must not contain salts or foreign substances and efflorescence must be removed.

In general, metal beads should be kept dry and stored flat.



Galvanised Beads

Manufactured with DX51D+Z galvanised steel strips with zinc coating in accordance to **EN 10346**.

Z275 Zinc coating of 275 g/m² on both sides. Meets EN 13658 parts 1&2 and EN 14353 applications.

Z100 Zinc coating of 100 g/m² on both sides. Meets EN 14353 applications.

Z60 Zinc coating of 60 g/m² on both sides. Meets no standard.

Application Areas:

- Suitable for interior applications.
- Not suitable for external applications unless secondary protection against corrosion is provided.
- Not permitted for areas exposed to high moisture and damp after application. (houses in wooded areas, wet rooms, swimming pools and domestic bathrooms etc.)

Compatibility:

- Suitable for lime, cement, lime-cement or gypsum based plaster applications.

Installation:

- Should be fixed with plaster or render dabs. Adhesive mortars with set accelerators containing chlorides are not suitable for fixing galvanised profiles.
- Not resistant to corrosion when using top coats of less than 3mm depth in exterior areas.
- Should not come into contact with aluminium or stainless steel profiles.
- Cut with hand plate shears across the wings and a fine toothed saw across bead noses.
- Should be fixed in accordance with embedding the bead's wings into the plaster.



Galvanised Beads with PVC nose

Manufactured with DX51D+Z galvanised steel strips with zinc coating of 275 g/m² on both sides in accordance to **EN 10346** and protective **PVCu nose**. PVC nose adds protection and a maintenance free finish.

Application Areas:

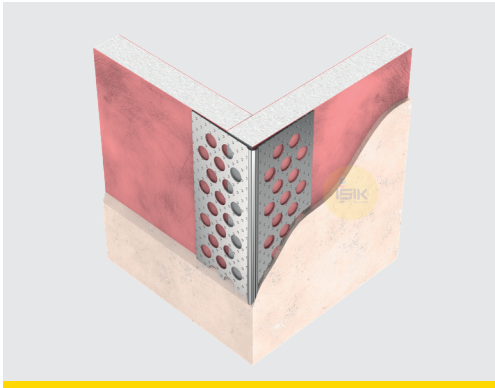
- Suitable for exterior applications and in conditions with high moisture and damp. (houses in wooded areas, bathrooms, etc.)
- Not suitable for exposed coastal locations or corrosive environments.

Compatibility:

- Suitable for lime or cement based renders, scratch renders, pasty finishing coats.

Installation:

- Should be mechanically fixed with stainless clout nails or with cement based mortar, no plaster.
- May not be plastered over. PVC nose must be cleaned off immediately after plastering.
- Take off nails eventually used for fixing of the profiles before plastering.
- Cut with hand plate shears across the wings and a fine toothed saw across bead noses.



Natural Aluminium Beads

Manufactured with natural aluminium strips in accordance to **EN 485** and **EN 573**.

Application Areas:

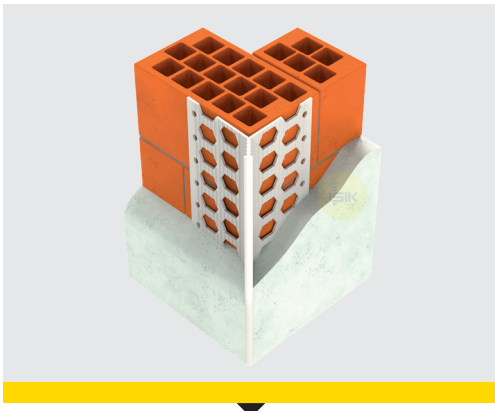
- Suitable for interior applications and thermal insulation systems.
- Not suitable for external applications unless made from white powder-coated aluminium which is suitable for use with mineral render systems and with epoxy, silicone or silicate render systems.

Compatibility:

- Suitable for gypsum and synthetic resin plaster applications.
- Not suitable for cement and lime-based plasters unless coated with base coating.

Installation:

- Should be fixed with plaster in the same quality as the base coat.
- Cut with hand plate shears across the wings and a fine toothed saw across bead noses. Never with a blade.



PVCu Beads

Extruded with **impact resistant, %0 recycled content** and **high quality** rigid PVC.

- Economical alternative to stainless steel for external applications.
- Superior corrosion resistance unlike galvanized beads.
- Unsharp edges prevent injuries.
- Convenient, easy to cut lengths on site.
- Light and easy to transport.
- Resistant to breakage.

Application Areas:

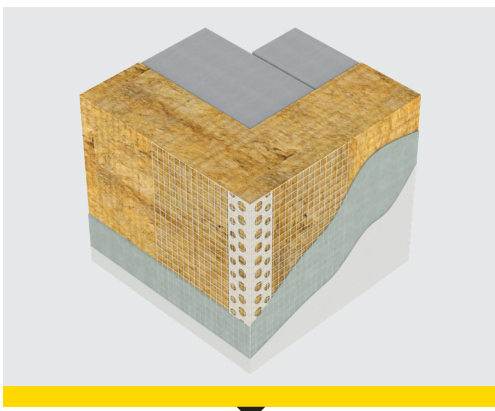
- Precise solution for interior areas exposed to high moisture and damp after application.
(houses in wooded areas, wet rooms, swimming pools and domestic bathrooms etc.)
- Suitable for exposed coastal locations or corrosive environments.

Compatibility:

- Suitable for external applications with appropriate cement based renders.

Installation:

- Should be fixed with plaster in interior applications.
- Should be fixed with cement based adhesive mortar dabs in exterior applications.
- Cut using a fine-toothed hacksaw across bead noses.



PVCu Beads with Mesh

Extruded with **impact resistant, %0 recycled content, high quality** rigid PVC and reinforcement alkali-resistant glass fibre mesh.

- **ETAG 004** certified 145 g/m² reinforcement alkali-resistant E-glass fibre mesh.
- High quality 145, 110, 75 g/m² reinforcement alkali-resistant glass fibre mesh.
- Strong adhesion of bead and glass fibre mesh with transparent hot-melt glue.

Application Areas:

- Suitable for ETICS, EWI and EIFS applications.

Installation:

- Should be pushed into the first base coat layer.
- Cut using a fine-toothed hacksaw across bead noses.

The most appropriate bead should be specified in accordance with the application, required plaster depth and desired finish. You may refer to the below statements regarding the explanations, headings, drawings and tables.

Application Areas

- Interior plaster:** Plaster for indoor applications.
- Exterior plaster:** Render for outdoor applications.
- Dry Lining:** Gypsum, drywall finishing.
- ETICS:** External Thermal Insulation Composite System
- EIFS:** External Insulation and Facade System
- EWI:** External Wall Insulation

Tolerances

- Plaster depth** with a tolerance of $\pm 1\text{mm}$,
- Material thickness** with a tolerance of $\pm 1\text{mm}$,
- Wing width** with a tolerance of $\pm 1\text{mm}$ in total,
- Length** with a tolerance of $\pm 10\text{mm}$.

European Standards

- EN 13658-1:** Metal lath and beads - Definitions, requirements and test methods - Part 1: Internal plastering
- EN 13658-2:** Metal lath and beads - Definitions, requirements and test methods - Part 2: External plastering
- EN 14353:** Metal beads and feature profiles for use with gypsum plasterboards - Definitions, requirements and test methods

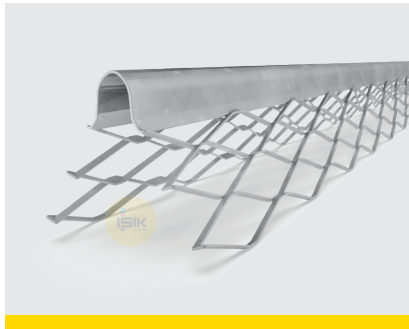
Technical Documents

If the requested profile meets the requirements of the related standard, DoP (Declaration of Performance) can be asked for. Otherwise, **TDS (Technical Data Sheet)** can only be obtained.

Plaster Depth

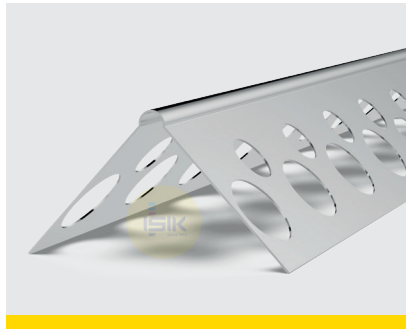
Refer to the minimum depth with a tolerance of $\pm 1\text{ mm}$ without fixing material. The minimum depth is to be controlled at the fixing of the profile and in case of differences to be claimed immediately. Claims after the finishing of the plaster work can not be accepted.

Surface Treatments



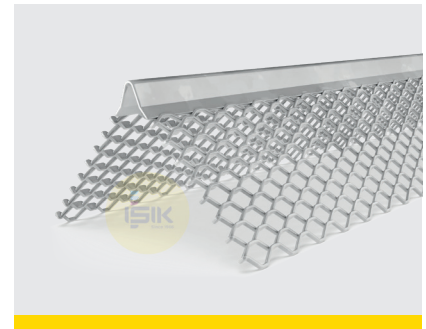
Expanded mesh

Flanges can be easily flexed over irregular, uneven surfaces with a significant cost advantage.



Perforated smooth surface

Holes allow gypsum to penetrate through the bead to the drywall.



Mini mesh

Fine mesh wings to provide an excellent plastering key.



Perforated embossed surface

Embossed surface increases profile stability and improves plaster embedding.



Square Hole

Large holes allow plaster or render to penetrate through the bead to the surface.



Bundle (bun)



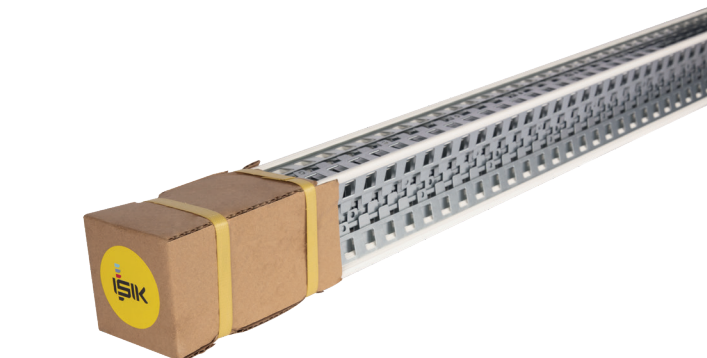
Paper edge protector (pep)



Cardboard box (cts)



PE foil bag (fbg)



shrink film (shf)

*All delivery terms are Ex-Works if any other agreement does not exist.

**Orders of each article will be accepted and delivered as pallets.

***Our pallet quality meets with Provisions of Regulation about Marking of Wooden Packaging Marketing, as prepared for ISPM 15 Standard. Please ask this marking permission certificate to your export representative.



Pallet for Galvanised, Aluminium and PVCu Beads
 Orders should be replaced as 3 pallets or multiples of 3.



Pallet for PVC beads with mesh in cartons&steel cardboard boxes.
 Orders should be replaced as 3 pallets or multiples of 3.



Pallet for PVC beads with mesh in cartons or foil bags
 Orders should be replaced as 2 pallets or multiples of 2.

PLASTER

Corner Beads

G1071	P1030	P6206	G1041
G1081	P1031	P6210	G1050
G1061	P1040	P6215	
GP2210	P1041	P6220	
GP2214	P1042	G1095	
GP2310	P1043	G1000	
GP2314	P1044	G1001	
P1010	P1060	G1002	
P1020	P1450	G1020	
P1000	P2306	G1021	
P1001	P2310	G1030	
P1002	P2315	G1040	
P1003	P2320	A1040	

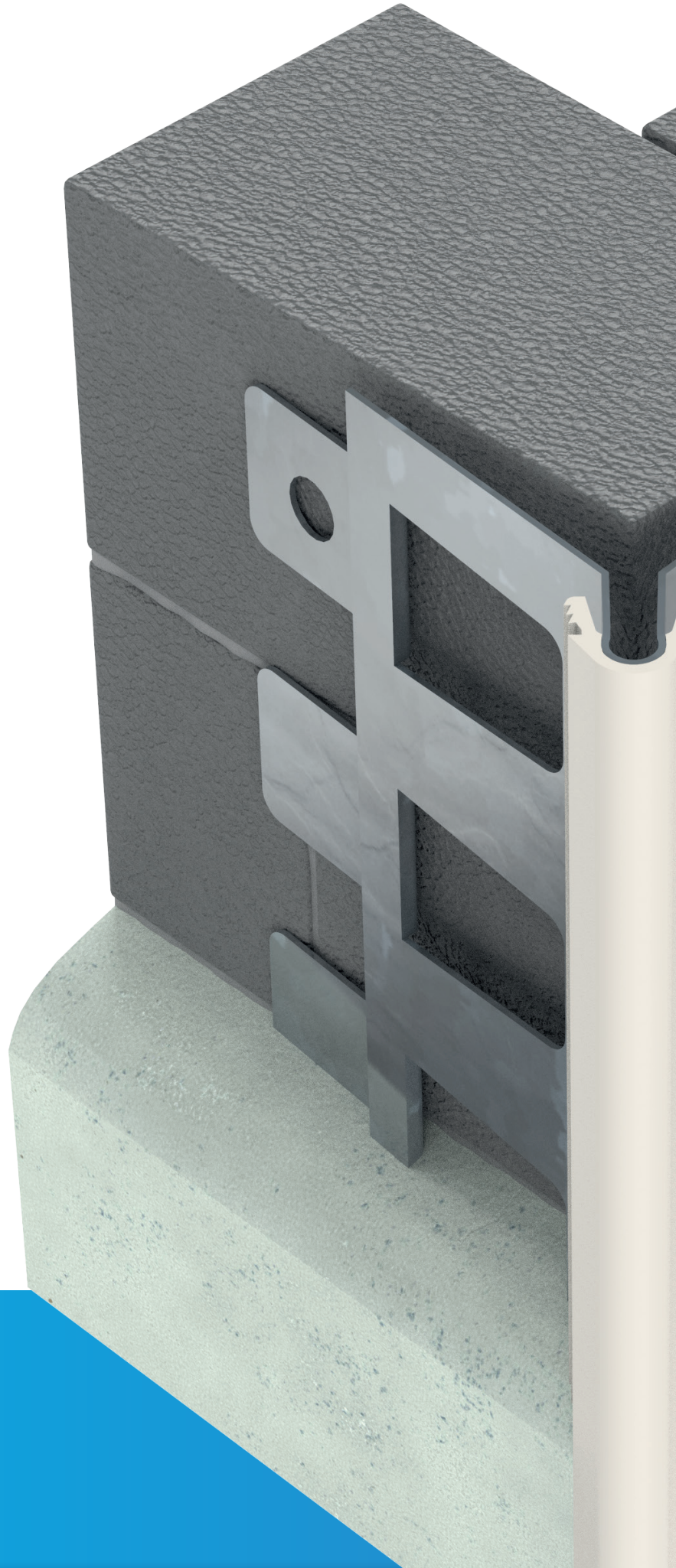
Stop Beads

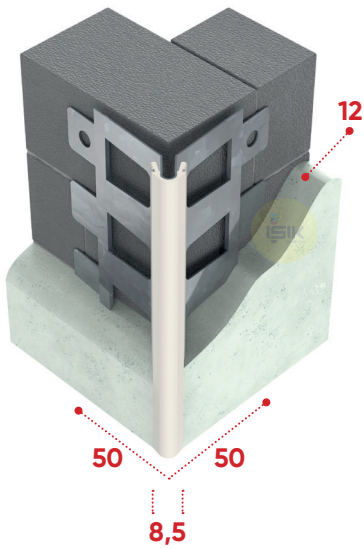
G1200
G1205
G1210
G1220
A1220
G1230

Depth Gauge Beads

G1401
A1401
G1400
A1400
G1410
A1410

G: Galvanised Steel | A: Aluminium | P: PVCu





G1071

Galvanised Steel
Corner Bead
with PVC nose

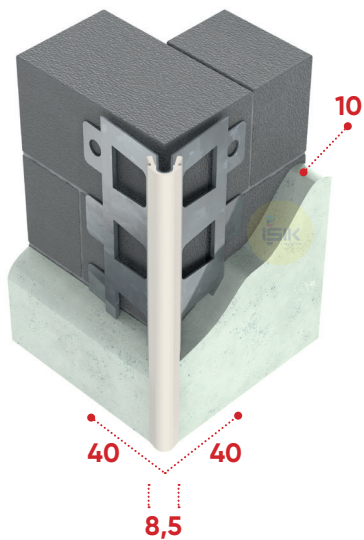
50x50 mm wings | Square hole
Exterior plaster | 12 mm plaster depth

Provides true and straight arris. Prevents chipping and cracking to vulnerable corners. PVCu extruded nosing to protect the edge/arris of the bead during application.

*Please refer to "Materials" page in order to avoid any corrosion problem.



Article Number	Material Thickness	Standards	Lengths	Pack/Pallet
G107155W3	0.50 mm Z275 white-nose	EN 13658-2	270, 300 cm	15pcs/70shf



G1081

Galvanised Steel
Corner Bead
with PVC nose

40x40 mm wings | Square hole
Exterior plaster | 10 mm plaster depth

Provides true and straight arris. Prevents chipping and cracking to vulnerable corners. PVCu extruded nosing to protect the edge/arris of the bead during application.

*Please refer to "Materials" page in order to avoid any corrosion problem.

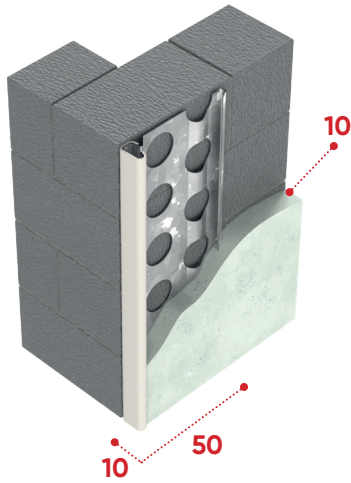


Article Number	Material Thickness	Standards	Lengths	Pack/Pallet
G108155W3	0.50 mm Z275 white-nose	EN 13658-2	225, 250, 260, 270, 275, 280, 300 cm	15pcs/80shf
G108155J3	0.50 mm Z275 beige-nose	EN 13658-2	225, 250, 260, 270, 275, 280, 300 cm	15pcs/80shf



G1061 Galvanised Steel Corner Bead | 14 mm plaster depth

G106155W3	0.50 m Z275 white-nose	EN 13658-2	225, 250, 300 cm	15pcs/80bun
G106155J3	0.50 m Z275 beige-nose	EN 13658-2	225, 250, 300 cm	15pcs/80bun

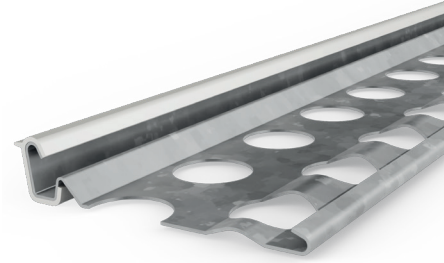


GP2210

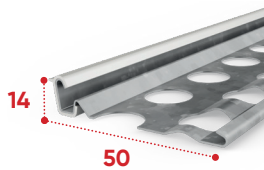
Galvanised Steel
Stop Bead
with PVC nose

10x50 mm wings
Exterior plaster | 10 mm plaster depth

Stop profile made of galvanized steel with PVC coating for external plaster. The PVC coating protects against abrasion and corrosion.



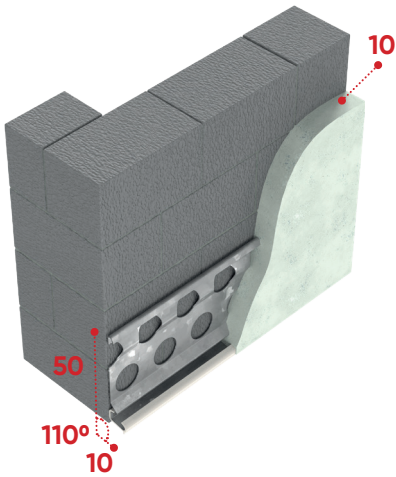
Article Number	Material Thickness	Standards	Lengths	Pack/Pallet
GP221055W0	0.50 m Z275 white-nose	EN 13658-2	225, 250, 300 cm	15pcs/80bun
GP221055J0	0.50 m Z275 beige-nose	EN 13658-2	225, 250, 300 cm	15pcs/80bun



GP2214

Galvanised Steel Stop Bead | 14 mm plaster depth

GP221455W0	0.50 m Z275 white-nose	EN 13658-2	225, 250, 300 cm	15pcs/80bun
GP221455J0	0.50 m Z275 beige-nose	EN 13658-2	225, 250, 300 cm	15pcs/80bun

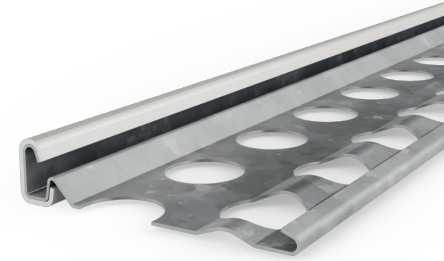


GP2310

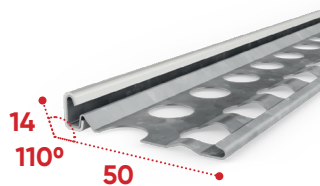
Galvanised steel
Base Profile
with PVC nose

10x50 mm wings
Exterior plaster | 10 mm plaster depth

Base (plinth) profiles for exact plinth formation with an angle setting of 110° for a reliable drip edge.



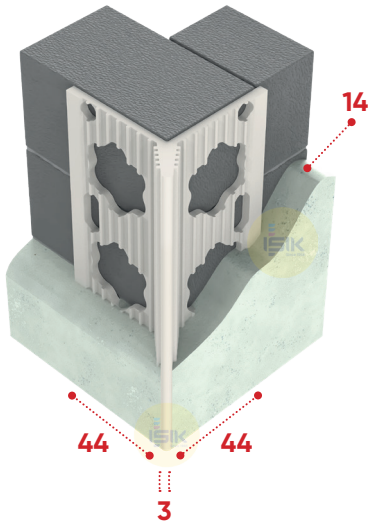
Article Number	Material Thickness	Standards	Lengths	Pack/Pallet
GP231055W0	0.50 m Z275 white-nose	EN 13658-2	225, 250, 300 cm	15pcs/80bun
GP231055J0	0.50 m Z275 beige-nose	EN 13658-2	225, 250, 300 cm	15pcs/80bun



GP2314

Galvanised Steel Base Profile | 14 mm plaster depth

GP231455W0	0.50 m Z275 white-nose	EN 13658-2	225, 250, 300 cm	15pcs/80bun
GP231455J0	0.50 m Z275 beige-nose	EN 13658-2	225, 250, 300 cm	15pcs/80bun

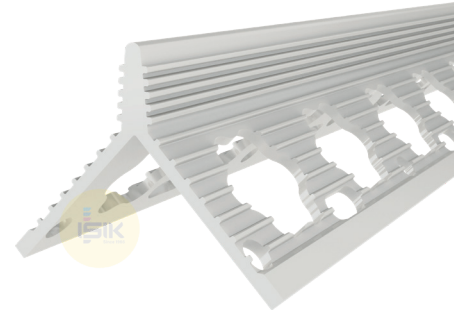


P1010

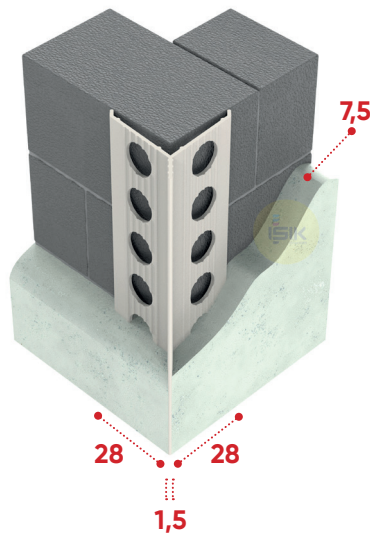
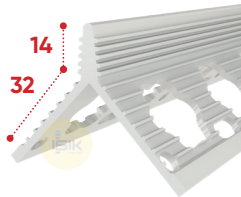
PVCu
Corner Bead
visible round edge

44x44 mm wings | 245 g/m weight
Exterior plaster | 14 mm plaster depth

Provides true and sharp exterior plastered corners. Its strong rigid arris protects and reinforces plaster against impact.
Visible arris: 3 mm



Article Number	Colour	Lengths	Pack/Pallet
P101000W8	White	270, 300 cm	15pcs/40cts



P1020

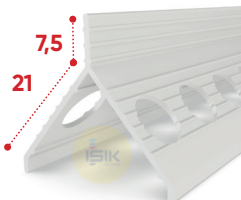
PVCu
Corner Bead
visible round edge

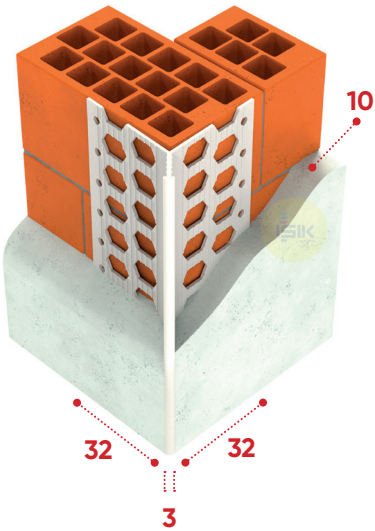
28x28 mm wings | 82 g/m weight
Exterior plaster | 7,5 mm plaster depth

Provides true and sharp exterior plastered corners. Its strong rigid arris protects and reinforces plaster against impact.
Visible arris: 1,5 mm



Article Number	Colour	Lengths	Pack/Pallet
P102000W8	White	250 cm	50pcs/51cts





P1000

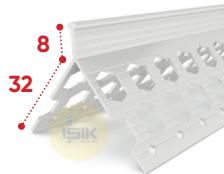
PVCu
Corner Bead
visible round edge

32x32 mm wings | 115 g/m weight
Interior plaster | 10 mm plaster depth

Provides true and sharp interior plastered corners. Its strong rigid arris protects and reinforces plaster against impact.
Visible arris: 3 mm



Article Number	Colour	Lengths	Pack/Pallet
P10000W1	White	250, 300 cm	50pcs/30cts



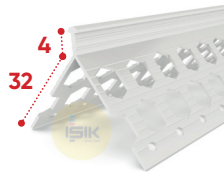
+ P1001 | 8 mm plaster depth | 110 g/m weight

P100100X8	White	250, 300 cm	70pcs/30cts
-----------	-------	-------------	-------------



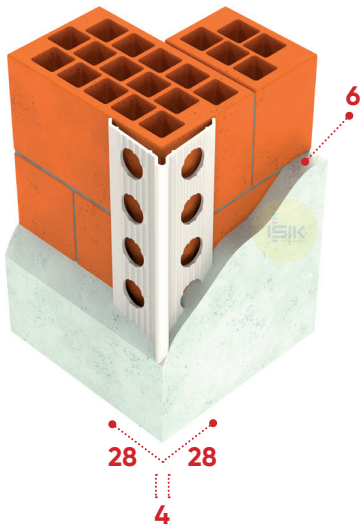
+ P1002 | 6 mm plaster depth | 105 g/m weight

P100200W1	White	250, 300 cm	80pcs/30cts
-----------	-------	-------------	-------------



+ P1003 | 4 mm plaster depth | 85 ± 2 g/m weight

P100300W1	White	250, 300 cm	80pcs/30cts
-----------	-------	-------------	-------------

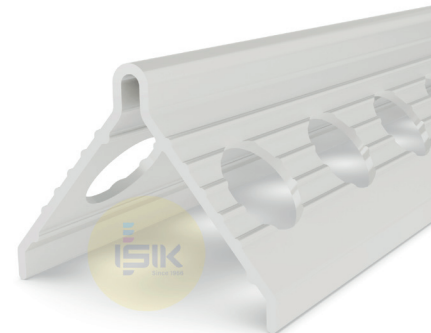


P1030

PVCu
Corner Bead
round edge

28x28 mm wings | 82 g/m weight
Interior / Exterior plaster | 6 mm plaster depth

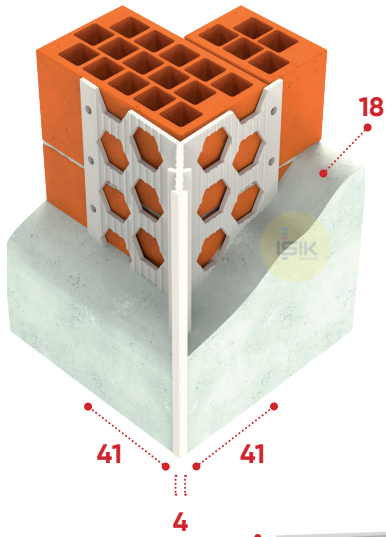
Provides true and round interior - exterior plastered corners.



Article Number	Colour	Lengths	Pack/Pallet
P103000W0	White	200, 250, 260, 265, 270, 280, 300 cm	100pcs/40cts

+ P1031 | 25x25 mm wings | 65 g/m weight

P103100W0	White	200, 250, 260, 265, 270, 280, 300 cm	100pcs/60cts
-----------	-------	--------------------------------------	--------------

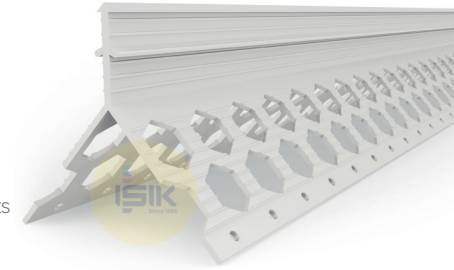


P1040

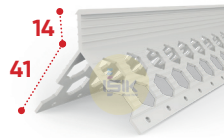
PVCu
Corner Bead
visible round edge

41x41 mm wings | 230 g/m weight
Exterior plaster | 18 mm plaster depth

P1040 provides true and sharp interior - exterior plastered corners. Its strong rigid arris protects and reinforces plaster against impact.

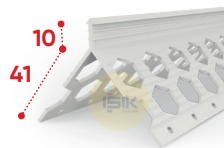


Article Number	Colour	Lengths	Pack/Pallet
P104100W8	White	250, 300 cm	25 pcs/40cts



+ P1041 | 14 mm plaster depth | 205 g/m weight

P104100W8	White	250, 300 cm	25 pcs/40cts
-----------	-------	-------------	--------------



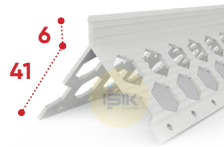
+ P1042 | 10 mm plaster depth | 180 g/m weight

P104200W8	White	250, 300 cm	25 pcs/40cts
-----------	-------	-------------	--------------



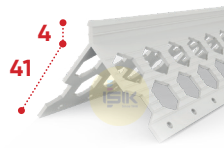
+ P1043 | 8 mm plaster depth | 170 g/m weight

P104300W8	White	250, 300 cm	25 pcs/40cts
-----------	-------	-------------	--------------



+ P1044 | 6 mm plaster depth | 160 g/m weight

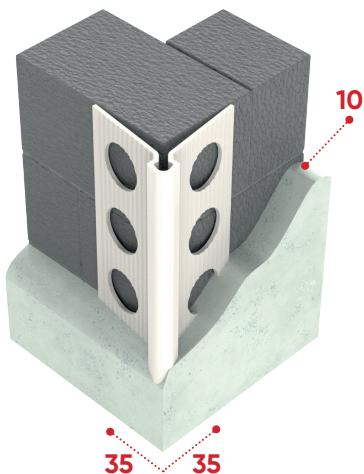
P104400W8	White	250, 300 cm	25 pcs/40cts
-----------	-------	-------------	--------------



+ P1045 | 4 mm plaster depth | 150 g/m weight

P104500W8	White	250, 300 cm	25 pcs/40cts
-----------	-------	-------------	--------------

Galvanised steel

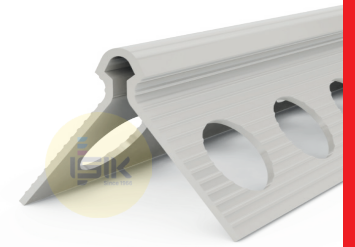


P1060

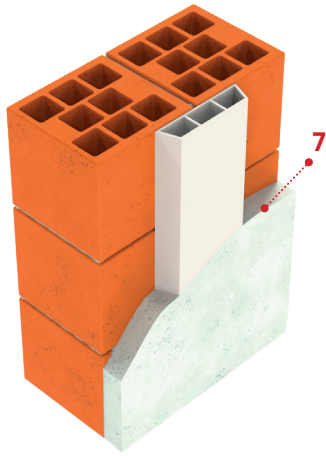
PVCu
Corner Bead

35x35 mm wings | 140 g/m profile weight
Exterior plaster | 10 mm plaster depth

?



Article Number	Lengths	Pack/Pallet
P106000W1	250, 300 cm	50pcs/40cts

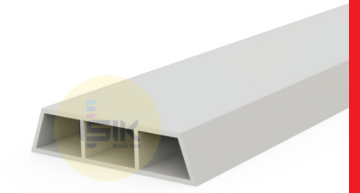


P1450

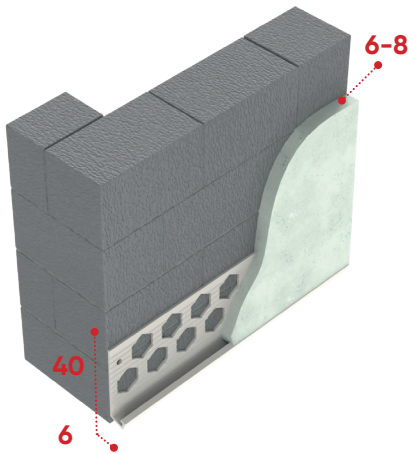
95 g/m profile weight
7 mm plaster depth

?

PVC
Depth Gauge



Article Number	Standards	Lengths	Pack/Pallet
P145000W8	EN 13658-2	200, 250, 300 cm	100pcs/50cts

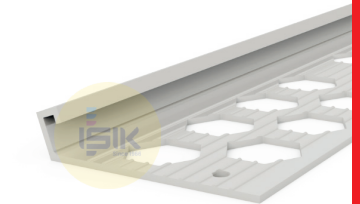


P2306

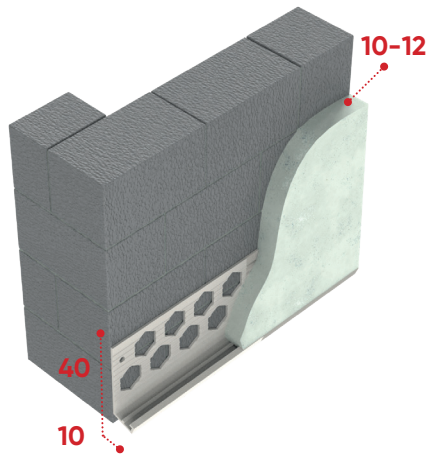
6x40 mm wings | 85 g/m profile weight
6-8 mm plaster depth

?

PVC Bellcast
Drip Bead



Article Number	Standards	Lengths	Pack/Pallet
P230600W8	EN 13658-2	250, 300 cm	50pcs/36cts



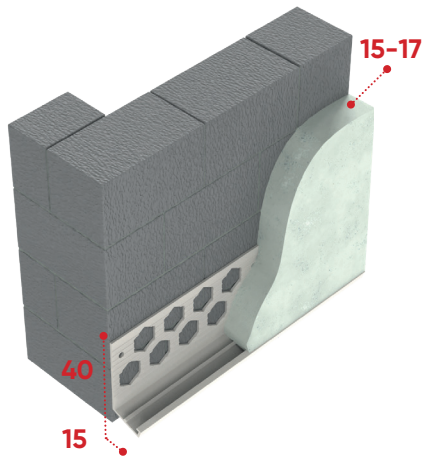
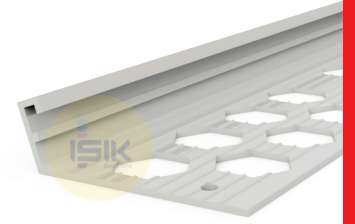
P2310

PVC Bellcast
Drip Bead

10x40 mm wings | 95 g/m profile weight
10-12 mm plaster depth

?

Article Number	Standards	Lengths	Pack/Pallet
P231000W8	EN 13658-2	250, 300 cm	34pcs/40cts



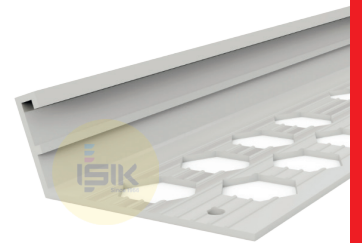
P2315

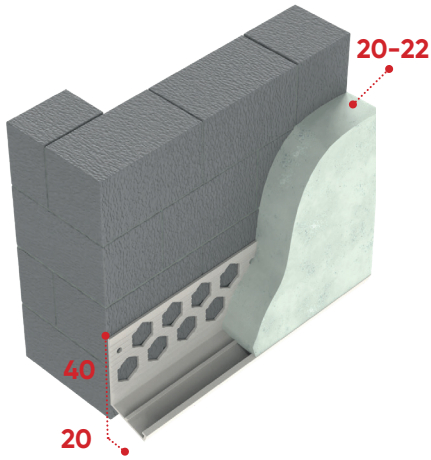
PVC Bellcast
Drip Bead

15x40 mm wings | 105 g/m profile weight
15-17 mm plaster depth

?

Article Number	Standards	Lengths	Pack/Pallet
P231500W8	EN 13658-2	250, 300 cm	34pcs/36cts





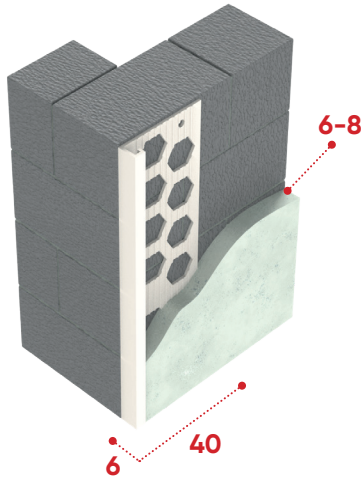
P2320

PVC Bellcast
Drip Bead

20x40 mm wings | 115 g/m profile weight
20-22 mm plaster depth

?

Article Number	Standards	Lengths	Pack/Pallet
P232000W8	EN 13658-2	250, 300 cm	34pcs/28cts



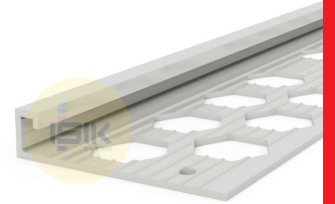
P6206

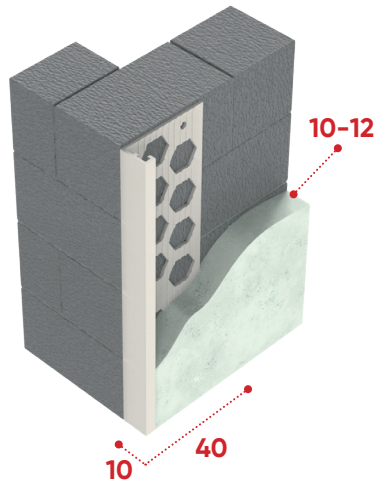
PVC
Stop Bead

6x40 mm wings | 85 g/m profile weight
6-8 mm plaster depth

?

Article Number	Standards	Lengths	Pack/Pallet
P620600W8	EN 13658-2	250, 300 cm	50pcs/36cts





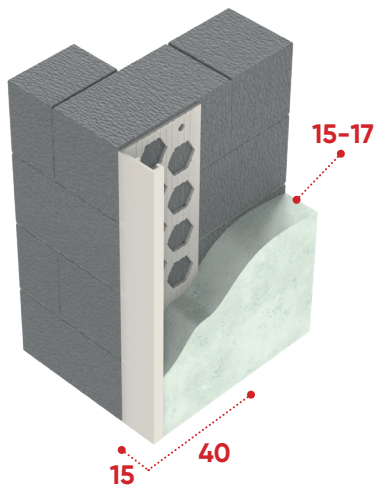
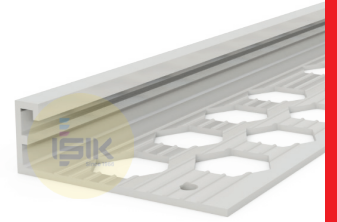
P6210

PVC
Stop Bead

10x40 mm wings | 95 g/m profile weight
10-12 mm plaster depth

?

Article Number	Standards	Lengths	Pack/Pallet
P621000W8	EN 13658-2	250, 300 cm	34pcs/40cts



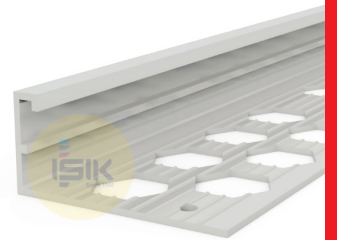
P6215

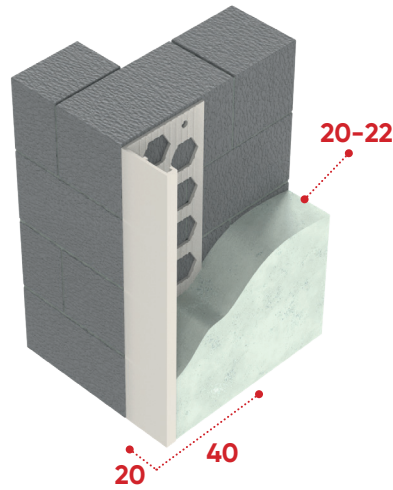
PVC
Stop Bead

15x40 mm wings | 105 g/m profile weight
15-17 mm plaster depth

?

Article Number	Standards	Lengths	Pack/Pallet
P671500W8	EN 13658-2	250, 300 cm	34pcs/36cts





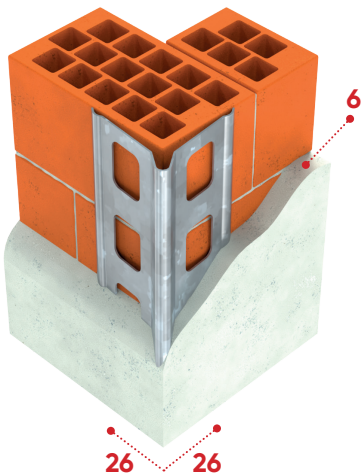
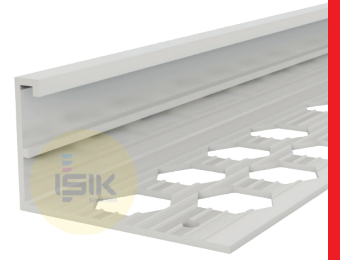
P6220

PVC
Stop Bead

20x40 mm wings | 115 g/m profile weight
20-22 mm plaster depth

?

Article Number	Standards	Lengths	Pack/Pallet
P622000W8	EN 13658-2	250, 300 cm	34pcs/28cts



G1095

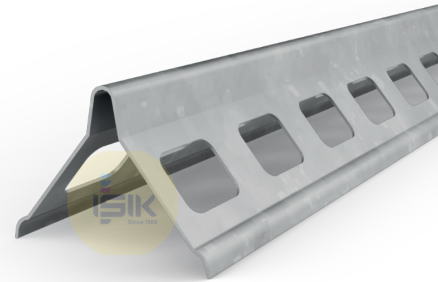
Galvanised Steel
Corner Bead
round edge

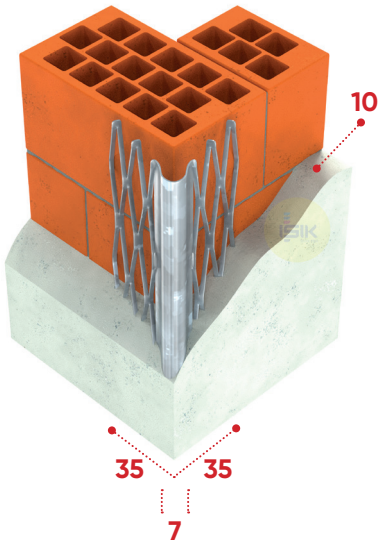
26x26 mm wings | Square hole
Interior plaster | 6 mm plaster depth

Provides true and sharp interior plastered corners. Its strong rigid aris protects and reinforces plaster against impact.

*Please refer to "Materials" page in order to avoid any corrosion problem.

Article Number	Material Thickness	Standards	Lengths	Pack/Pallet
G10955300	0,40 mm Z275	EN 13658-1	270, 300 cm	25pcs/80bun



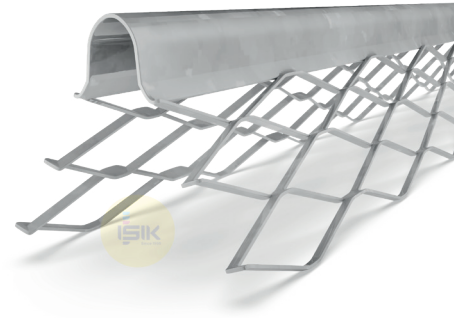


G1000

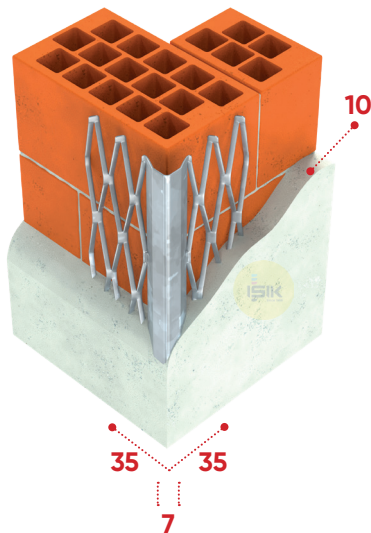
Galvanised Steel
Corner Bead
round edge

35x35 mm wings | 5 mesh
Interior plaster | 10 mm plaster depth

Provides true and straight arris. Prevents chipping and cracking to vulnerable corners. The expanded metal meshes ensure that the bead is firmly embedded in the plaster. Flanges can be easily flexed over irregular, uneven surfaces with a significant cost advantage.
*Please refer to "Materials" page in order to avoid any corrosion problem.



Article Number	Material Thickness	Standards	Lengths	Pack/Pallet
G10005500	0.50 mm Z275	EN 13658-1	150, 160, 180, 200, 220, 225, 240, 250, 260, 270, 275, 280, 300 cm	25pcs/100bun

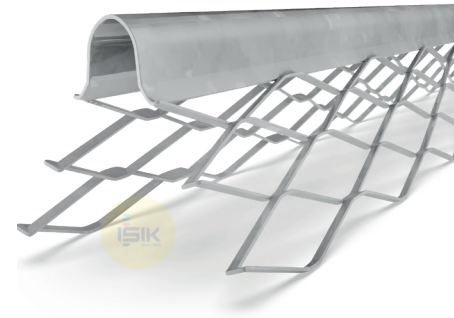


G1001

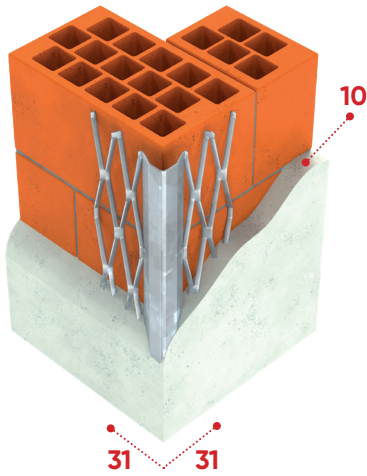
Galvanised Steel
Corner Bead
round edge

35x35 mm wings | 5 mesh
Interior plaster | 10 mm plaster depth

Provides true and straight arris. Prevents chipping and cracking to vulnerable corners. The expanded metal meshes ensure that the bead is firmly embedded in the plaster. Flanges can be easily flexed over irregular, uneven surfaces with a significant cost advantage.
*Please refer to "Materials" page in order to avoid any corrosion problem.



Article Number	Material Thickness	Standards	Lengths	Pack/Pallet
G10015600	0.60 mm Z275	EN 13658-1	150, 160, 180, 200, 220, 225, 240, 250, 260, 270, 275, 280, 300 cm	25pcs/100bun
G10015500	0.50 mm Z275	EN 13658-1	150, 160, 180, 200, 220, 225, 240, 250, 260, 270, 275, 280, 300 cm	25pcs/100bun



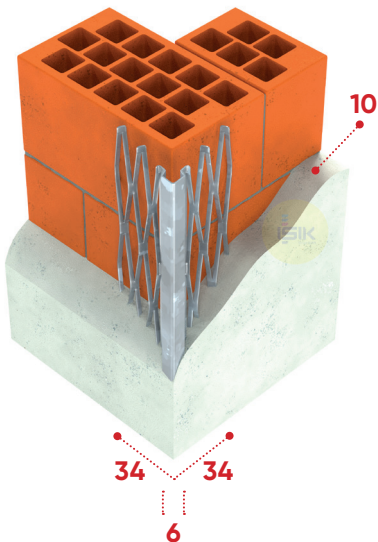
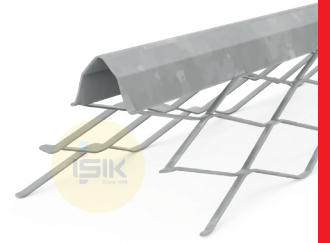
G1002

Galvanised Steel
Corner Bead
angular edge

31x31 mm wings | 4 mesh
Interior plaster | 10 mm plaster depth

?

Article Number	Material Thickness	Standards	Lengths	Pack/Pallet
G10025500	0.50 mm Z275	EN 13658-1	150, 160, 180, 200, 220, 225, 240, 250, 260, 270, 275, 280, 300 cm	100bun



G1020

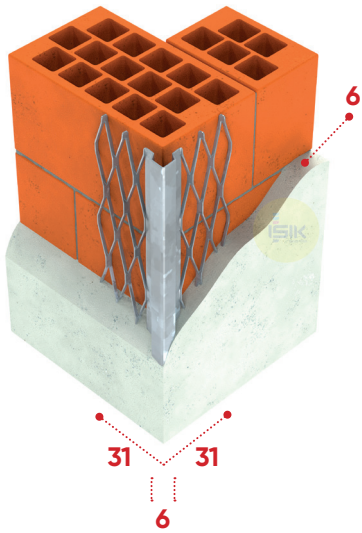
Galvanised Steel
Corner Bead
angular edge

34x34 mm wings | 5 mesh
Interior plaster | 10 mm plaster depth

Provides true and straight arris. Prevents chipping and cracking to vulnerable corners. The expanded metal meshes ensure that the bead is firmly embedded in the plaster. Flanges can be easily flexed over irregular, uneven surfaces with a significant cost advantage.
*Please refer to "Materials" page in order to avoid any corrosion problem.

Article Number	Material Thickness	Standards	Lengths	Pack/Pallet
G10205500	0.50 mm Z275	EN 13658-1	150, 160, 180, 200, 220, 225, 240, 250, 260, 270, 275, 280, 300 cm	25pcs/100bun (G10205501: (50pcs /40cts)



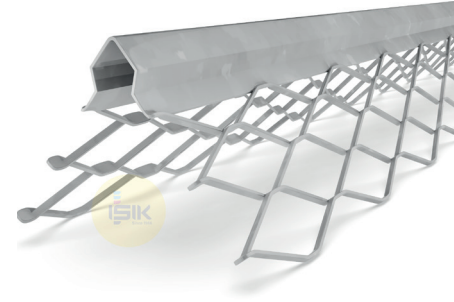


G1021

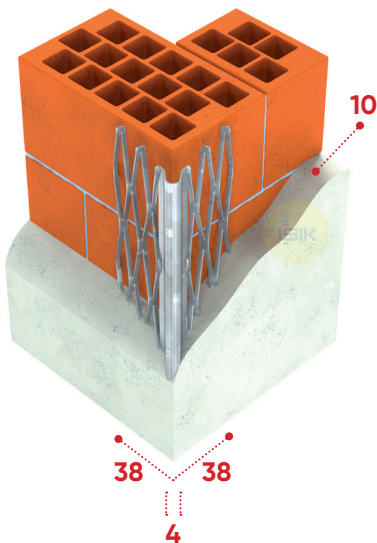
Galvanised Steel
Corner Bead
angular edge

31x31 mm wings | 5 mesh
Interior plaster | 6 mm plaster depth

Provides true and straight arris. Prevents chipping and cracking to vulnerable corners. The expanded metal meshes ensure that the bead is firmly embedded in the plaster. Flanges can be easily flexed over irregular, uneven surfaces with a significant cost advantage.
*Please refer to "Materials" page in order to avoid any corrosion problem.



Article Number	Material Thickness	Standards	Lengths	Pack/Pallet
G10215500	0.50 mm Z275	EN 13658-1	150, 160, 180, 200, 220, 225, 240, 250, 260, 270, 275, 280, 300 cm	25pcs/100bun
G10210200	0.35 mm Z100	-	150, 160, 180, 200, 220, 225, 240, 250, 260, 270, 275, 280, 300 cm	25pcs/100bun



G1030

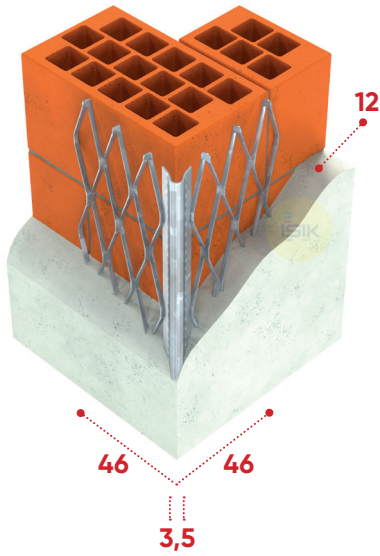
Galvanised Steel
Corner Bead
round edge

38x38 mm wings | 5 mesh
Interior plaster | 10 mm plaster depth

Provides true and straight arris. Prevents chipping and cracking to vulnerable corners. The expanded metal meshes ensure that the bead is firmly embedded in the plaster. Flanges can be easily flexed over irregular, uneven surfaces with a significant cost advantage.
*Please refer to "Materials" page in order to avoid any corrosion problem.



Article Number	Material Thickness	Standards	Lengths	Pack/Pallet
G10305500	0.50 mm Z275	EN 13658-1	150, 160, 180, 200, 220, 225, 240, 250, 260, 270, 275, 280, 300 cm	25pcs/100bun (G10305501: 50pcs / 50cts)

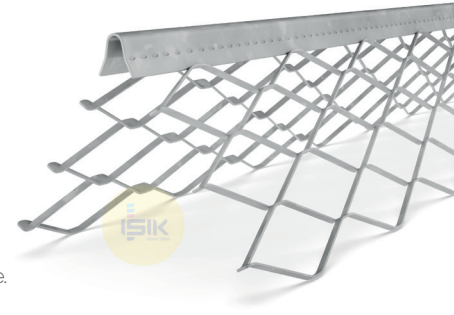


G1040

Galvanised Steel
Corner Bead
round edge

46x46 mm wings | 6 mesh
Interior plaster | 12 mm plaster depth

Provides true and straight arris. Prevents chipping and cracking to vulnerable corners. The expanded metal meshes ensure that the bead is firmly embedded in the plaster. Flanges can be easily flexed over irregular, uneven surfaces with a significant cost advantage.
*Please refer to "Materials" page in order to avoid any corrosion problem.



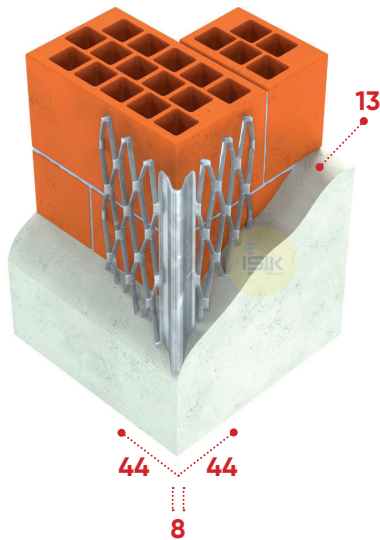
Article Number	Material Thickness	Standards	Lengths	Pack/Pallet
G10405500	0.50 mm Z275	EN 13658-1	250, 260, 270, 280, 300 cm	25pcs/100bun (G10405501: 50pcs / 40cts)
G10401300	0.40 mm Z100	-	250, 260, 270, 280, 300 cm	25pcs/100bun (G10401301: 50pcs / 40cts)

+

A1040

Aluminium Corner Bead

A10409500	0.50 mm	-	250, 260, 270, 280, 300 cm	25pcs/100bun (A10409501: 50pcs / 40cts)
-----------	---------	---	----------------------------	---



G1041

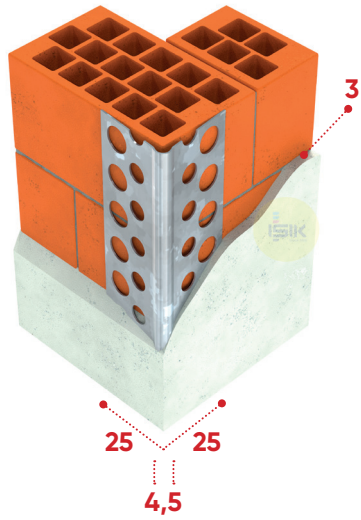
Galvanised Steel
Corner Bead
round edge

44x44 mm wings | 6 mesh
Interior plaster | 10-13 mm plaster depth

G1041 provides true and straight arris. Prevents chipping and cracking to vulnerable corners. The expanded metal meshes ensure that the bead is firmly embedded in the plaster. Flanges can be easily flexed over irregular, uneven surfaces with a significant cost advantage.
*Please refer to "Materials" page in order to avoid any corrosion problem.



Article Number	Material Thickness	Standards	Lengths	Pack/Pallet
G10415508	0.50 mm Z275	EN 13658-1	240, 300 cm	50pcs/50cts
G10415308	0.40 mm Z275	EN 13658-1	240, 300 cm	50pcs/50cts

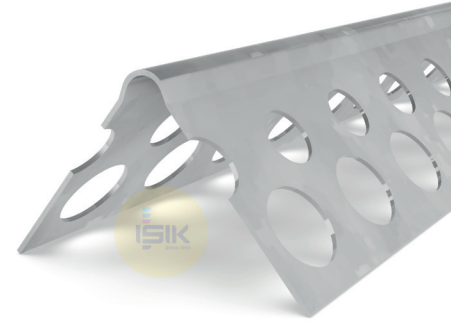


G1050

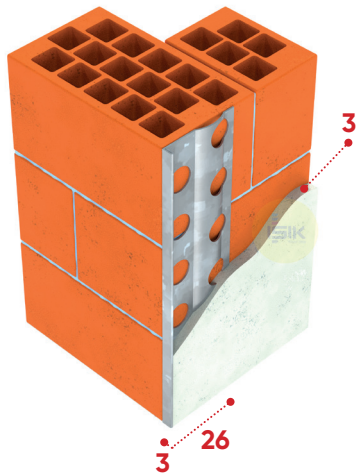
Galvanised Steel
Corner Bead
smooth surface

25x25 mm wings
Interior plaster | 3 mm plaster depth

Designed for use with one coat plaster work to a thin finish.
Perforated wings to provide an excellent plastering key for slab,
block work or rough surfaces, which need a thin coat finish.
**Please refer to "Materials" page in order to avoid any corrosion problem.*



Article Number	Material Thickness	Standards	Lengths	Pack/Pallet
G10505505	0.50 mm Z275	EN 13658-1	250, 260, 270, 280, 300 cm	25pcs/100pep

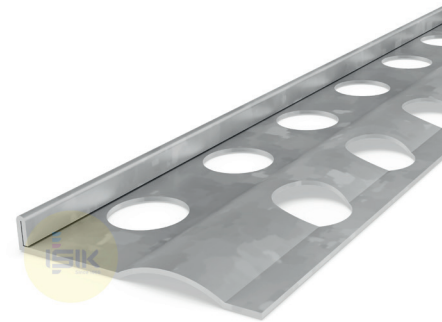


G1200

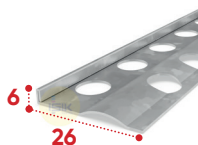
Galvanised Steel
Stop Bead
perforated

3x26 mm wings
Interior plaster | 3 mm plaster depth

Provides clean, neat edges at openings, abutment of walls and ceiling finishes.
**Please refer to "Materials" page in order to avoid any corrosion problem.*



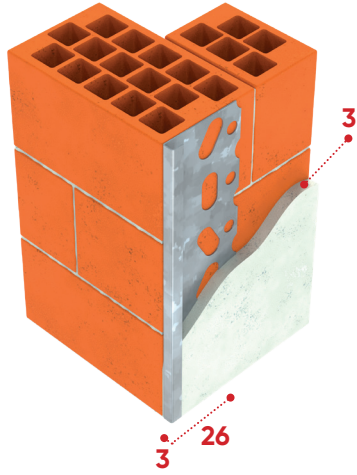
Article Number	Material Thickness	Standards	Lengths	Pack/Pallet
G12005500	0.50 mm Z275	EN 13658-1	250, 260, 270, 280, 300 cm	25pcs/140bun (G12005501: 50pcs / 70 cts)



G1210

Galvanised Steel Stop Bead 6 mm plaster depth

Article Number	Material Thickness	Standards	Lengths	Pack/Pallet
G12105500	0.50 mm Z275	EN 13658-1	250, 260, 270, 280, 300 cm	25pcs/100bun (G12105501: 50pcs / 50 cts)



G1205

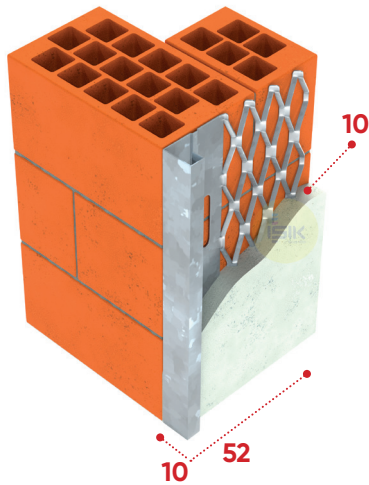
Galvanised Steel
Stop Bead

3x26 mm wings
Interior plaster | 3 mm plaster depth

Provides clean, neat edges at openings, abutment of walls and ceiling finishes.
*Please refer to "Materials" page in order to avoid any corrosion problem.



Article Number	Material Thickness	Standards	Lengths	Pack/Pallet
G12055500	0.50 mm Z275	EN 13658-1	250, 260, 270, 280, 300 cm	25pcs/140bun
G12055501	0.50 mm Z275	EN 13658-1	250, 260, 270, 280, 300 cm	50pcs/70cts

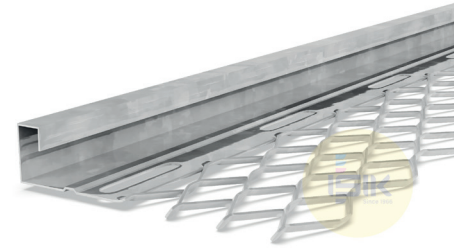


G1220

Galvanised Steel
Stop Bead
expanded wings

10x52 mm wings
Interior plaster | 10 mm plaster depth

Provides clean, neat edges at openings, abutment of walls and ceiling finishes.
*Please refer to "Materials" page in order to avoid any corrosion problem.

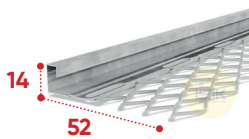


Article Number	Material Thickness	Standards	Lengths	Pack/Pallet
G12205500	0.50 mm Z275	EN 13658-1	250, 260, 270, 280, 300 cm	25pcs/70bun

A1220

Aluminium Stop Bead | 10 mm plaster depth

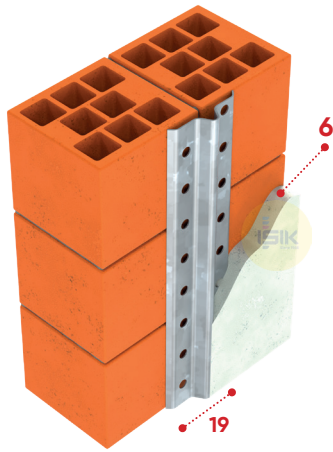
A12209601	0.60 mm	-	270, 300 cm	50pcs/35cts
-----------	---------	---	-------------	-------------



G1230

Galvanised Steel Stop Bead | 14 mm plaster depth

G12305500	0.50 mm Z275	EN 13658-1	250, 260, 270, 280, 300 cm	25pcs/70bun
-----------	-----------------	------------	----------------------------	-------------



G1401

Galvanised Steel
Depth Gauge Bead
perforated

Interior plaster | 6 mm plaster depth

Flatness guide bead to create quick, exact and even plaster surfaces.

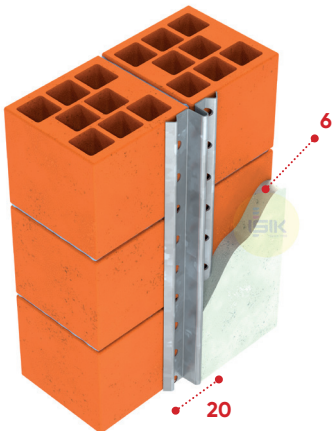
*Please refer to "Materials" page in order to avoid any corrosion problem.

Article Number	Material Thickness	Standards	Lengths	Pack/Pallet
G14015501	0.50 mm Z275	EN 13658-1	250, 260, 270, 280, 300 cm	50pcs/84bun (G14015500: 100pcs/42cts)
G14011200	0.35 mm Z100	-	250, 260, 270, 280, 300 cm	50pcs/100cts



⊕ A1401 Aluminium Depth Gauge Bead

A14019201	0.35 mm	-	220, 250, 260, 270, 275, 280, 300 cm	100pcs/32cts
-----------	---------	---	--------------------------------------	--------------



G1400

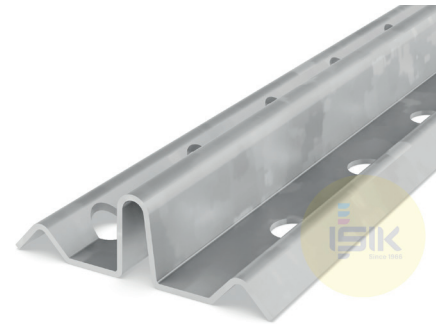
Galvanised Steel
Depth Gauge Bead
perforated

Interior plaster | 6 mm plaster depth

Flatness guide bead to create quick, exact and even plaster surfaces.

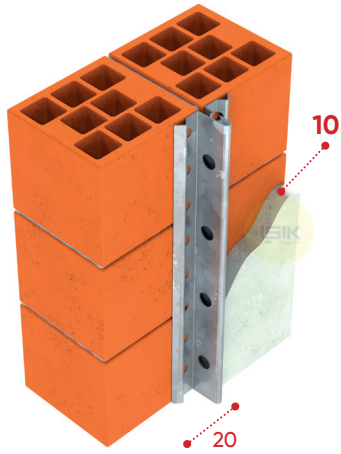
*Please refer to "Materials" page in order to avoid any corrosion problem.

Article Number	Material Thickness	Standards	Lengths	Pack/Pallet
G14005501	0.50 mm Z275	EN 13658-1	250, 260, 270, 280, 300 cm	50pcs/80cts
G14001208	0.35 mm Z100	-	250, 260, 270, 280, 300 cm	50pcs/80cts



⊕ A1400 Aluminium Depth Gauge Bead

A14009201	0.35 mm	-	250, 260, 270, 280, 300 cm	100pcs/60cts
-----------	---------	---	----------------------------	--------------



G1410

Galvanised Steel
Depth Gauge Bead
perforated

Interior plaster | 10 mm plaster depth

Flatness guide bead to create quick, exact and even plaster surfaces.
*Please refer to "Materials" page in order to avoid any corrosion problem.

Article Number	Material Thickness	Standards	Lengths	Pack/Pallet
G14105501	0.50 mm Z275	EN 13658-1	250, 260, 270, 280, 300 cm	50pcs/60cts
G14101208	0.35 mm Z100	-	250, 260, 270, 280, 300 cm	50pcs/60cts

⊕ A1410 | Aluminium Depth Gauge Bead

A14109201	0.35 mm	-	250, 260, 270, 280, 300 cm	100pcs/32cts
-----------	---------	---	----------------------------	--------------



DRYLINING

Corner Beads

G4090	G4031
G4092	A4081
G4091	A4041
G4001	A4061
G4002	P4020
G4003	P4000
G1056	P4010
G4010	P4009
G4011	P4019
A4030	P4030
A4031	P4033

Stop Beads

A4200

Edging Bead

G4210
A4210
G4211
G4220
G4221

G: Galvanised Steel | A: Aluminium | P: PVCu



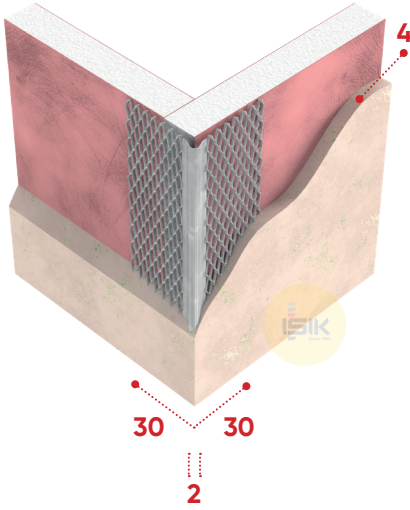
G4090

Galvanised Steel
Corner Bead
mini mesh

30x30 mm wings | 2 mm round edge
Dry lining | 4 mm plaster depth

Designed for use with one coat plasterwork to a thin finish. Fine mesh wings to provide an excellent plastering key for the slab, block work, or rough surfaces, which need a thin coat finish.

*Please refer to "Materials" page in order to avoid any corrosion problem.



Article Number	Material Thickness	Standards	Lengths	Pack/Pallet
G40905508	0.50 mm Z275	EN 14353	240, 270, 300 cm	50pcs/80cts

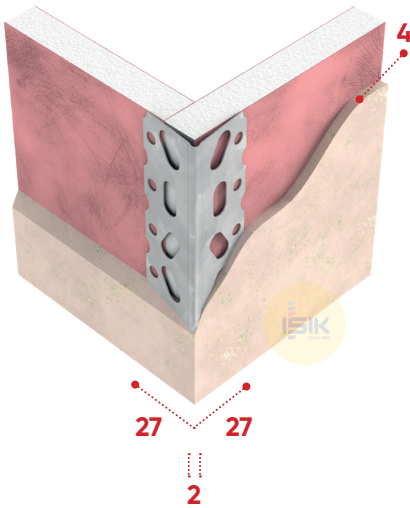
G4095

Galvanised Steel
Corner Bead

22x22 mm wings | 2 mm round edge
Dry lining | 2-3 mm plaster depth

Designed for use with one coat plasterwork to a thin finish. Fine mesh wings to provide an excellent plastering key for the slab, block work, or rough surfaces, which need a thin coat finish.

*Please refer to "Materials" page in order to avoid any corrosion problem.



Article Number	Material Thickness	Standards	Lengths	Pack/Pallet
G40955508	0.50 mm Z275	EN 14353	240, 270, 300 cm	50pcs/100cts
G40955308	0.40 mm Z275	EN 14353	240, 270, 300 cm	50pcs/100cts

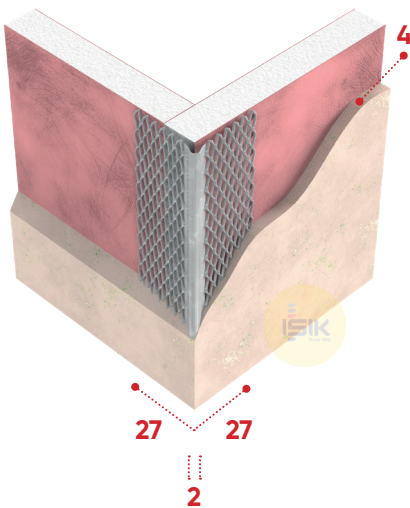
G4092

Galvanised Steel
Corner Bead
mini mesh

27x27 mm wings | 2 mm round edge
Dry lining | 4 mm plaster depth

Designed for use with one coat plasterwork to a thin finish. Fine mesh wings to provide an excellent plastering key for the slab, block work, or rough surfaces, which need a thin coat finish.

*Please refer to "Materials" page in order to avoid any corrosion problem.



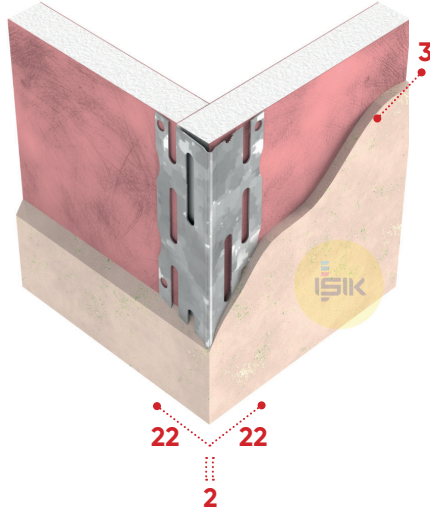
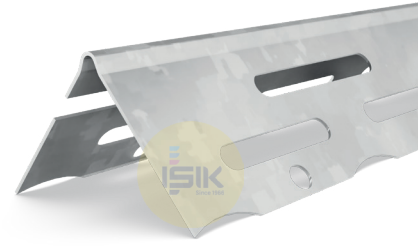
Article Number	Material Thickness	Standards	Lengths	Pack/Pallet
G40925308	0.40 mm Z275	EN 14353	240, 270, 300 cm	50pcs/80cts (G40925307: 50pcs/80pep) (G40925307: 50pcs/80pep)

G4091

Galvanised Steel
Corner Bead
round edge

22x22 mm wings | 2 mm round edge
Dry lining | 2-3 mm plaster depth

Provides a high-quality finish and solid protection at drywall corners. Minimizes cracking at plasterboard edges. Fixing holes fit with standard plasterboard nails.
**Please refer to "Materials" page in order to avoid any corrosion problem.*



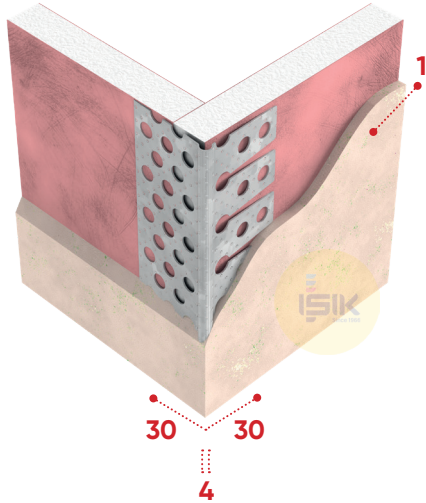
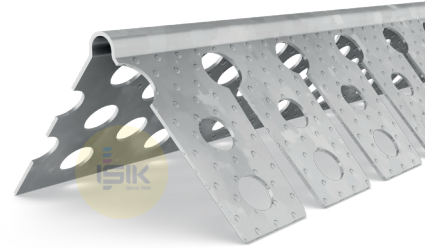
Article Number	Colour	Standards	Lengths	Pack/Pallet
G40915508	0.50 mm Z275	EN 14353	240, 270, 300 cm	50pcs/50cts
G40915308	0.40 mm Z275	EN 14353	240, 270, 300 cm	50pcs/50cts

G4002

Galvanised Steel
Arch Bead
embossed surface

30x30 mm wings | 4 mm round edge
Dry lining | 1 mm plaster depth

Used to joint on drywall edges. Provides a high-quality finish and solid protection at drywall corners. Minimizes cracking at the plasterboard edges.
**Please refer to "Materials" page in order to avoid any corrosion problem.*



Article Number	Colour	Standards	Lengths	Pack/Pallet
G40025505	0.50 mm Z275	EN 14353	200, 250, 260 270, 275, 280, 300 cm	25 pcs/90 pep

G4001

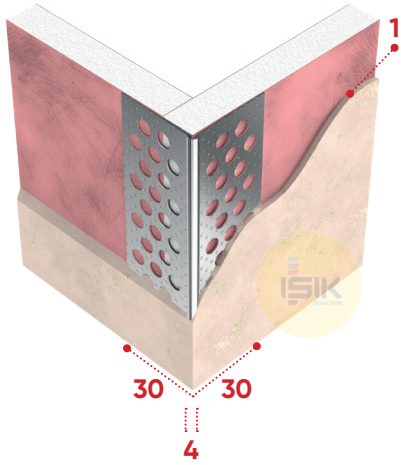
Galvanised Steel
Corner Bead
embossed surface

30x30 mm wings | 4 mm round edge.

Dry lining | 1 mm plaster depth

Used to joint on drywall edges. Provides a high-quality finish and solid protection at drywall corners. Minimizes cracking at the plasterboard edges.

*Please refer to "Materials" page in order to avoid any corrosion problem.



Article Number	Material Thickness	Standards	Lengths	Pack/Pallet
G40015505	0.50 mm Z275	EN 14353	200, 250, 260, 270, 275, 280, 300 cm	25 pcs/90 pep
G40011305	0.40 mm Z100	EN 14353	200, 250, 260, 270, 275, 280, 300 cm	25 pcs/90 pep

G4003

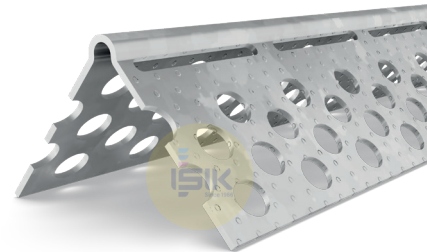
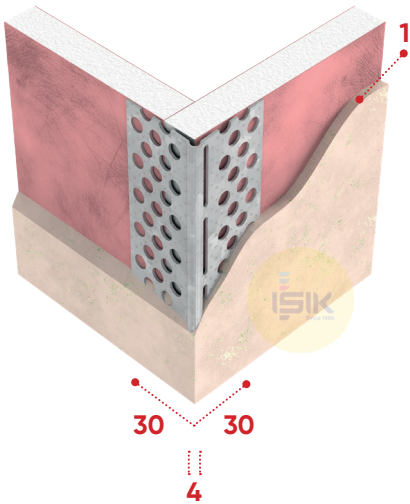
Galvanised Steel
Corner Bead
embossed surface

30x30 mm wings | 4 mm round edge

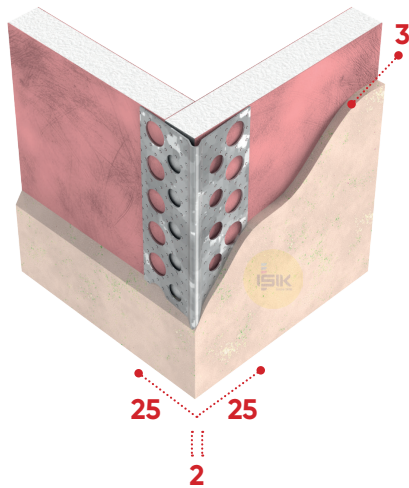
Dry lining | 1 mm plaster depth

Used to joint on drywall edges. Provides a high-quality finish and solid protection at drywall corners. Minimizes cracking at the plasterboard edges.

*Please refer to "Materials" page in order to avoid any corrosion problem.



Article Number	Material Thickness	Standards	Lengths	Pack/Pallet
G40035505	0.50 mm Z275	EN 14353	200, 250, 260, 270, 275, 280, 300 cm	25 pcs/90 pep



G1056

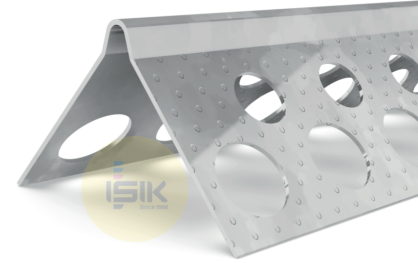
Galvanised Steel
Corner Bead
embossed surface

25x25 mm wings

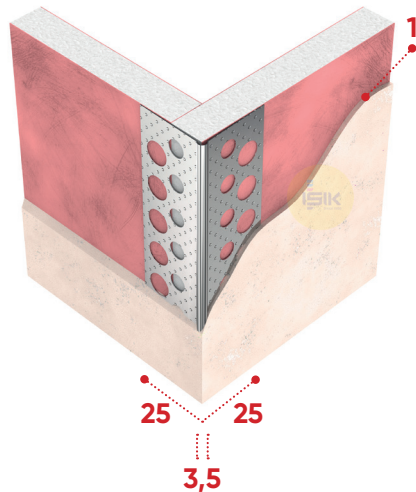
Dry lining | 1-3 mm plaster depth

Provides a high-quality finish and solid protection at drywall corners.
Minimizes cracking at plasterboard edges.

*Please refer to "Materials" page in order to avoid any corrosion problem.



Article Number	Material Thickness	Standards	Lengths	Pack/Pallet
G10565505	0.50 mm Z275	EN 14353	250, 260, 270, 280, 300 cm	25pcs/100pep



G4010

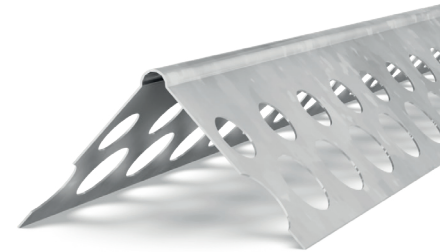
Galvanised Steel
Corner Bead
smooth surface

25x25 mm wings

Dry lining | 1 mm plaster depth

Used to joint on drywall edges. Provides a high-quality finish and solid protection at drywall corners. Minimizes cracking at the plasterboard edges.

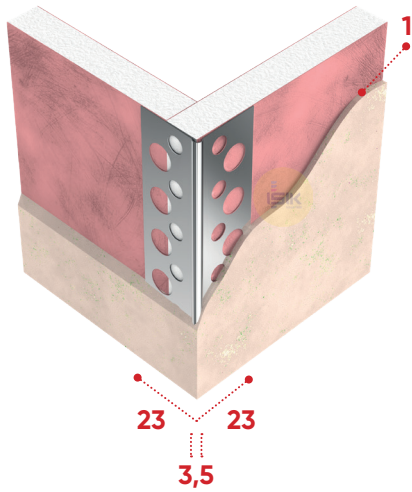
*Please refer to "Materials" page in order to avoid any corrosion problem.



Article Number	Material Thickness	Standards	Lengths	Pack/Pallet
G40105500	0.50 mm Z275	EN 14353	200, 250, 260, 270, 275, 280, 300 cm	25pcs/100bun (G40105505: 50 pcs /50pep)
G40101200	0.35 mm Z100	EN 14353	200, 250, 260, 270, 275, 280, 300 cm	25pcs/100bun (G40101205: 50pcs /50pep)

⊕ G4011 Galvanised Steel Corner Bead embossed surface

G40115505	0.50 mm Z275	EN 14353	200, 250, 260, 270, 275, 280, 300 cm	50pcs/50 pep
G40111205	0.35 mm Z100	EN 14353	200, 250, 260, 270, 275, 280, 300 cm	50 pcs/50 pep



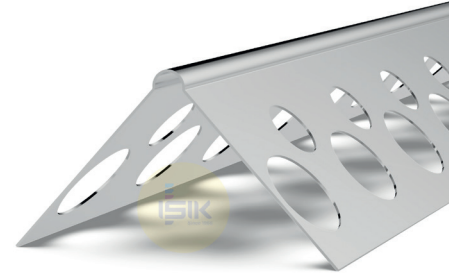
A4030

Aluminium Natural
Corner Bead
smooth surface

23x23 mm wings
Dry lining | 1 mm plaster depth

Used to joint on drywall edges. Provides a high-quality finish and solid protection at drywall corners. Minimizes cracking at the plasterboard edges.

*Please refer to "Materials" page in order to avoid any corrosion problem.



Article Number	Material Thickness	Standards	Lengths	Pack/Pallet	
A40309200	0.35 mm	-	200, 250, 260, 270, 275, 280, 300 cm	50pcs/160bun	(A40309201: 100pcs / 80cts) (A40309202: 200pcs / 40cts) (A40309205: 200pcs / 150 pep)
A40309100	0.30 mm	-	200, 250, 260, 270, 275, 280, 300 cm	50pcs/160bun	(A40309101: 100pcs / 80cts) (A40309102: 200pcs / 40cts) (A40309105: 50pcs / 150 pep)

+ A4031

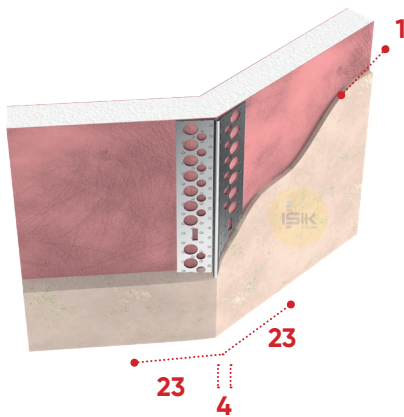
Aluminium Natural embossed surface

A40319200	0.35 mm	-	200, 250, 260, 270, 275, 280, 300 cm	50pcs/160bun	(A40319201: 100pcs / 80cts) (A40319202: 200pcs / 40cts) (A40319205: 50pcs / 50pep)
A40319100	0.30 mm	-	200, 250, 260, 270, 275, 280, 300 cm	50pcs/160bun	(A40319101: 100pcs / 80cts) (A40319102: 200pcs / 40cts) (A40319105: 50pcs / 150 pep)

+ G4031

Galvanised Steel embossed surface

G40311200	0.35 mm Z100	EN 14353	250, 260, 270, 280, 300 cm	50pcs/160bun	(G40311201: 100pcs / 80cts)
-----------	-----------------	----------	----------------------------	--------------	-----------------------------



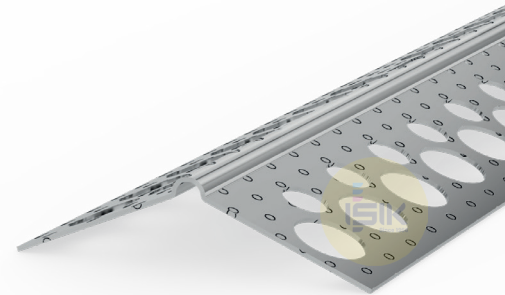
A4081

Aluminium Natural
Corner Bead
embossed surface

23x23 mm wings | 135° round edge
Dry lining | 1 mm plaster depth

Bends to create curved and arched forms in thin coat and dry lining applications.

*Please refer to "Materials" page in order to avoid any corrosion problem.



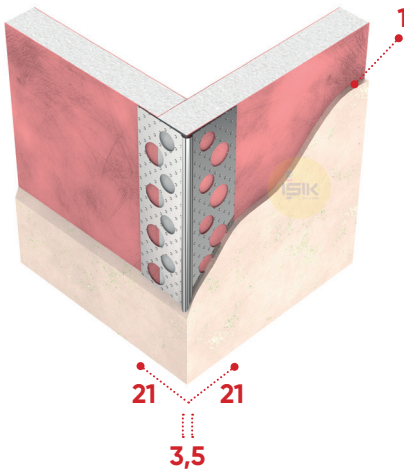
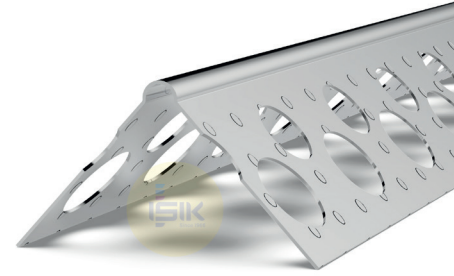
Article Number	Material Thickness	Standards	Lengths	Pack/Pallet
A40819202	0.35 mm	-	250, 270, 300 cm	150pcs/60cts

A4041

Aluminium Natural
Corner Bead
embossed surface

21x21 mm wings
Dry lining | 1 mm plaster depth

Used to joint on drywall edges. Provides a high-quality finish and solid protection at drywall corners. Minimizes cracking at the plasterboard edges.
**Please refer to "Materials" page in order to avoid any corrosion problem.*



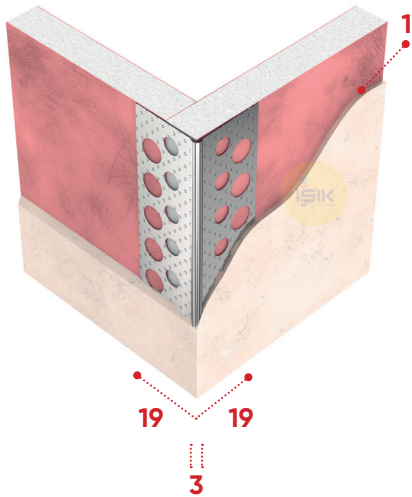
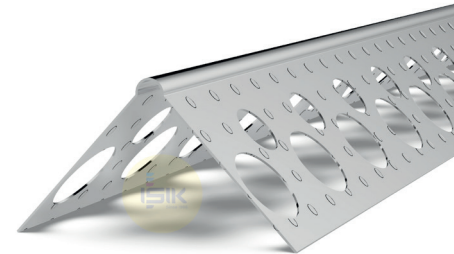
Article Number	Material Thickness	Standards	Lengths	Pack/Pallet	
A40419100	0.30 mm	-	200, 250, 260, 270, 275, 280, 300 cm	50pcs /160bun	(A40419101: 100pcs /80cts) (A40419102: 200pcs /40cts) (A40419105: 50pcs /150 pep)

A4061

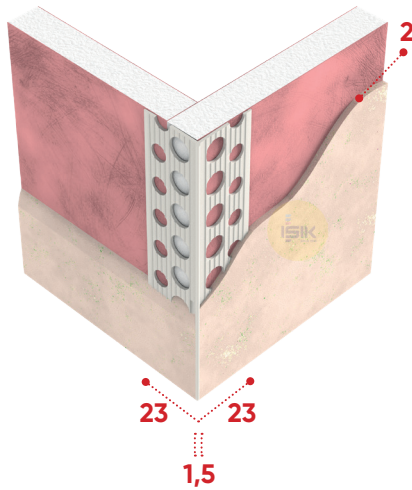
Aluminium Natural
Corner Bead
embossed surface

19x19 mm wings
Dry lining | 1 mm plaster depth

Used to joint on drywall edges. Provides a high-quality finish and solid protection at drywall corners. Minimizes cracking at the plasterboard edges.
**Please refer to "Materials" page in order to avoid any corrosion problem.*



Article Number	Material Thickness	Standards	Lengths	Pack/Pallet	
A40619000	0.28 mm	-	200, 250, 260, 270, 275, 280, 300 cm	50pcs/160bun	(A40619001: 100pcs / 80cts) (A40619002: 200pcs / 40cts) (A40619005: 50pcs / 150 pep)

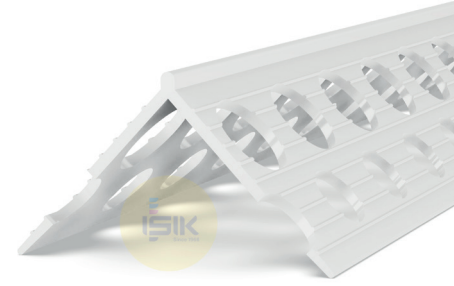


P4020

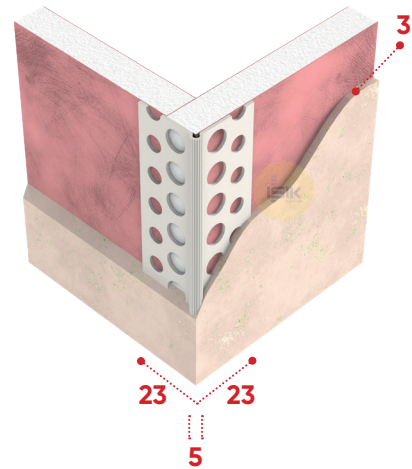
PVCu
Corner Bead
perfect edge

23x23 mm wings | 60 g/m weight
Dry lining | 2 mm plaster depth

Provides a clean and true corner for drywall edges. Protects and reinforces against cracking.



Article Number	Colour	Lengths	Pack/Pallet
P402000W0	White	250, 260, 270, 280, 300 cm	100pcs/40cts

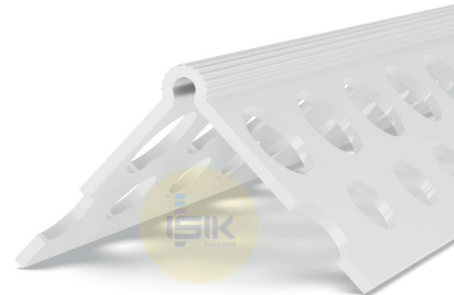


P4000

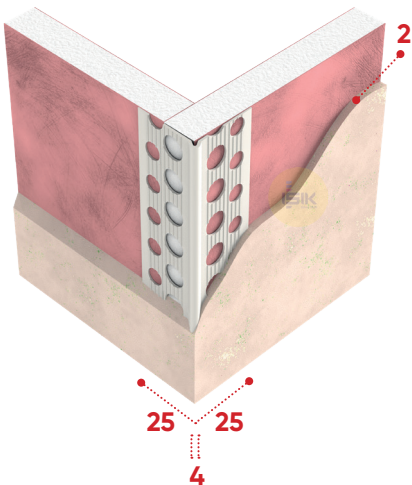
PVCu
Corner Bead
round edge

23x23 mm wings | 55 g/m weight
Dry lining | 3 mm plaster depth

Provides a clean and true corner for drywall edges. Protects and reinforces against cracking.



Article Number	Colour	Lengths	Pack/Pallet
P400000W0	White	250, 260, 270, 275, 280, 300 cm	100pcs/200fbg (P400000W8: 100pcs / 51 cts)

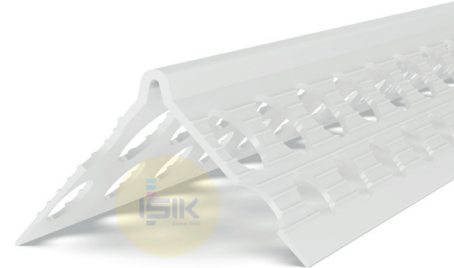


P4010

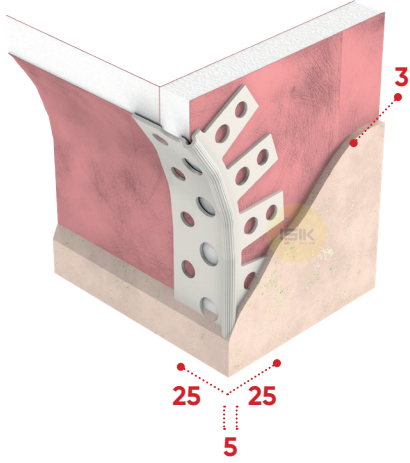
PVCu
Corner Bead
round edge

25x25 mm wings | 55 g/m weight
Dry lining | 2 mm plaster depth

Provides a clean and true corner for drywall edges. Protects and reinforces against cracking.



Article Number	Colour	Lengths	Pack/Pallet
P401000W8	White	250, 260, 270, 275, 280, 300 cm	100pcs/51cts

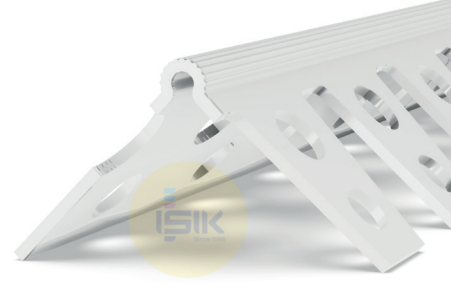


P4009

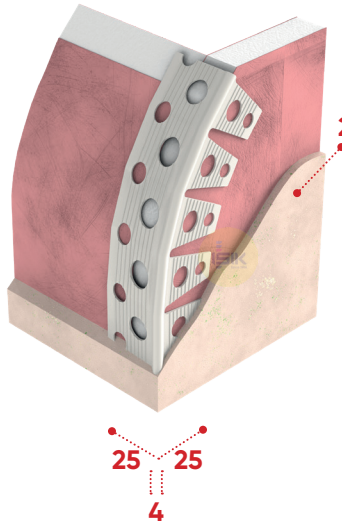
PVCu
Arch Bead
round edge

25x25 mm wings | 55 g/m weight
Dry lining | 3 mm plaster depth

Bends to create curved and arched forms in thin coat and dry lining applications.



Article Number	Colour	Lengths	Pack/Pallet
P400900W8	White	250, 260, 270, 275, 280, 300 cm	100pcs / 50cts



P4019

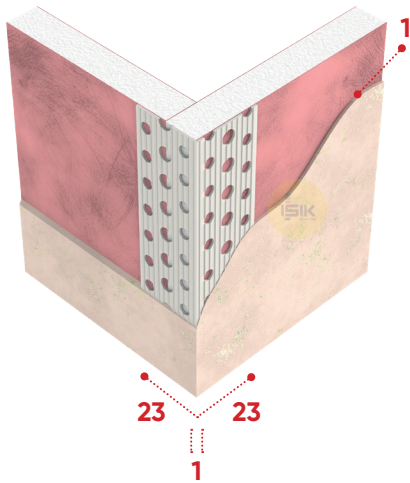
PVCu
Arch Bead
round edge

25x25 mm wings | 55 g/m weight
Dry lining | 2 mm plaster depth

Bends to create ceiling edges along curved walls in dry lining applications.



Article Number	Colour	Lengths	Pack/Pallet
P401900W8	White	250, 260, 270, 275, 280, 300 cm	100pcs/50cts



P4030

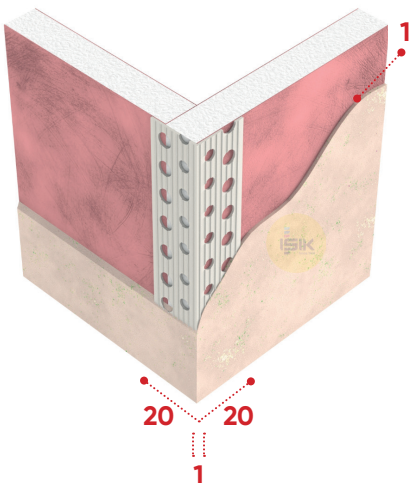
PVCu
Corner Bead
sharp edge

23x23 mm wings | 55 g/m weight
Dry lining | 1 mm plaster depth

Provides clean, true and sharp corners for drywall edges.
Protects and reinforces against cracking.



Article Number	Colour	Lengths	Pack/Pallet
P40300W0	White	250, 260, 270, 275, 280, 300 cm	100pcs/105fbg

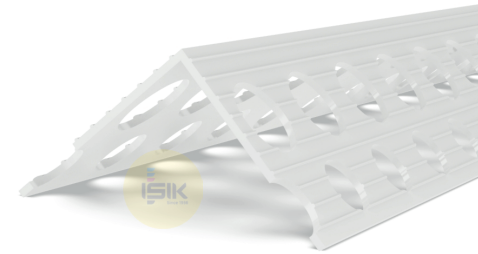


P4033

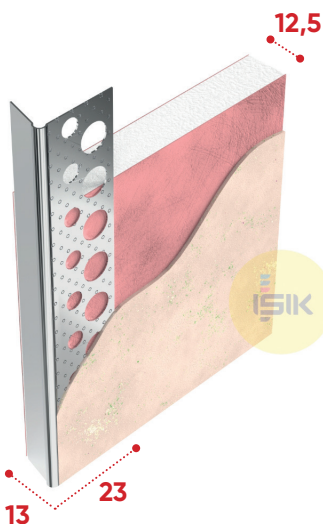
PVCu
Corner Bead
sharp edge

19x19 mm wings | 39 g/m weight
Dry lining | 1 mm plaster depth

Provides clean, true and sharp corners for drywall edges.
Protects and reinforces against cracking.



Article Number	Lengths	Pack/Pallet
P40330W0	250, 260, 270, 275, 280, 300 cm	100pcs/140fbg



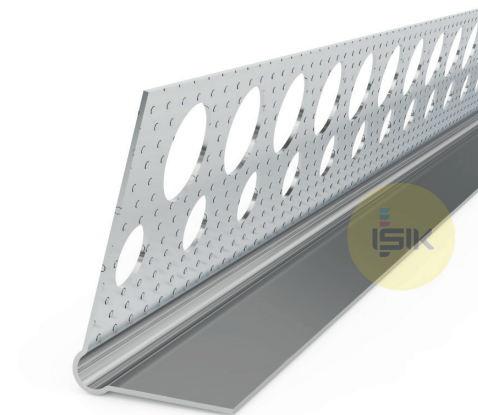
A4200

Aluminium
Stop Bead
embossed surface

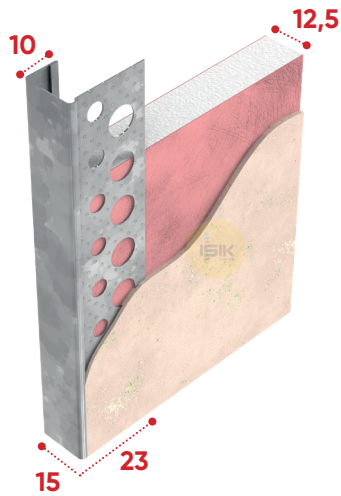
13x23 mm wings | 12,5mm plasterboard
Dry lining | 1 mm plaster depth

Used to form single edges at plastered junctions,
e.g. sliding ceiling and wall connections.

**Please refer to "Materials" page in order to avoid any corrosion problem.*



Article Number	Material Thickness	Standards	Lengths	Pack/Pallet
A42009202	0.35 mm	EN 14353	240, 250, 270, 300 cm	100pcs/50cts

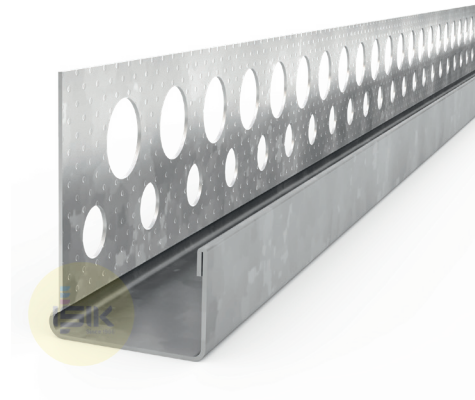


G4210

Galvanised Steel
Edging Bead
embossed surface

15x23 mm wings | 12,5 mm plasterboard
Dry lining | 1 mm plaster depth

Provides reinforcement for plasterboard edges by enclosing them in a protective section.
**Please refer to "Materials" page in order to avoid any corrosion problem.*

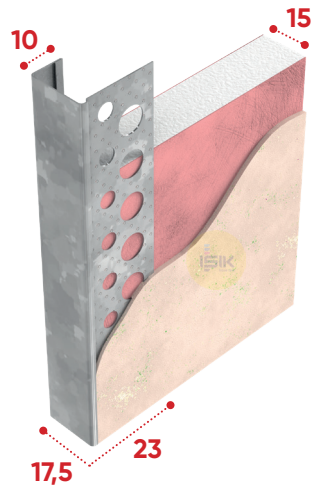


Article Number	Material Thickness	Standards	Lengths	Pack/Pallet
G42101301	0.40 mm Z100	EN 14353	240, 250, 270, 300 cm	50pcs/50cts

A4210

Aluminium Natural embossed surface

A42109301	0.40mm	EN 14353	240, 250, 270, 300 cm	50pcs/50cts
-----------	--------	----------	-----------------------	-------------

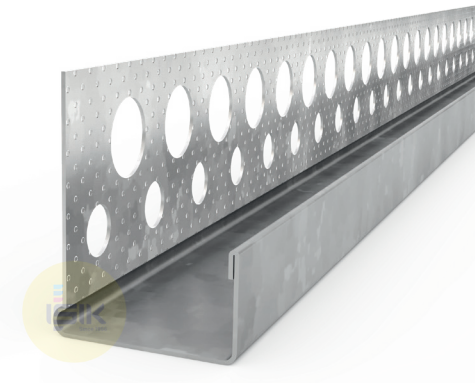


G4211

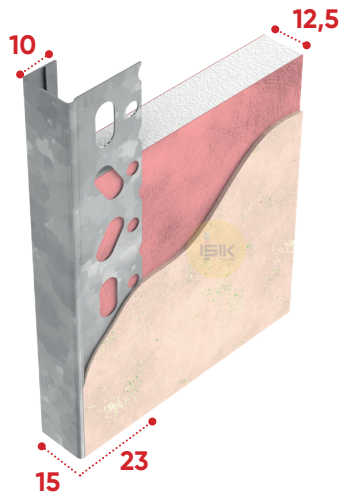
Galvanised Steel
Edging Bead
embossed surface

17,5x23 mm wings | 15 mm plasterboard
Dry lining | 1 mm plaster depth

Provides reinforcement for plasterboard edges by enclosing them in a protective section.
**Please refer to "Materials" page in order to avoid any corrosion problem.*



Article Number	Material Thickness	Standards	Lengths	Pack/Pallet
G42111301	0.40 mm Z100	EN 14353	240, 250, 270, 300 cm	50pcs/50cts

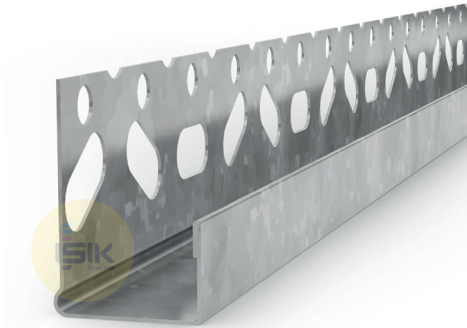


G4220

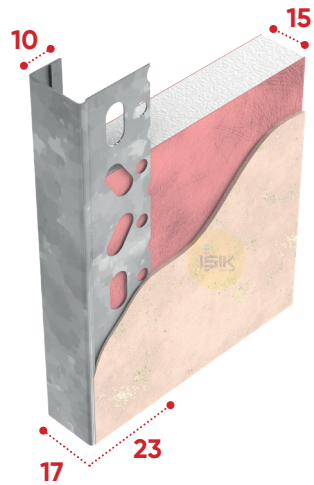
Galvanised Steel
Edging Bead
embossed surface

15x23 mm wings | 12,5 mm plasterboard
Dry lining | 1 mm plaster depth

Provides reinforcement for plasterboard edges by enclosing them in a protective section.
**Please refer to "Materials" page in order to avoid any corrosion problem.*



Article Number	Material Thickness	Standards	Lengths	Pack/Pallet
G42201308	0,40 mm Z100	EN 14353	240, 250, 270, 300 cm	50pcs/50cts

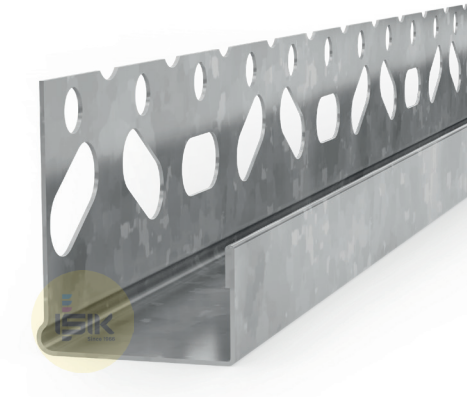


G4221

Galvanised Steel
Edging Bead
embossed surface

17x23 mm wings | 15 mm plasterboard
Dry lining | 1 mm plaster depth

Provides reinforcement for plasterboard edges by enclosing them in a protective section.
**Please refer to "Materials" page in order to avoid any corrosion problem.*



Article Number	Material Thickness	Standards	Lengths	Pack/Pallet
G42211308	0,40 mm Z100	EN 14353	240, 250, 270, 300 cm	50pcs/50cts

EXTERNAL THERMAL INSULATION SYSTEMS

Base Profiles

A63

A69

Corner Beads with Mesh

PE145

PC110

PA145

AC110

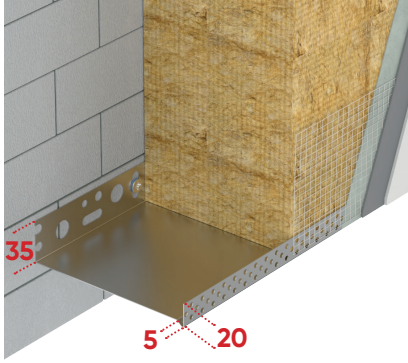
Drip Beads

PE6100

PE6105

A: Aluminium | P: PVCu





A63 | Natural Aluminium Base Profile

35x20 mm wings | 30 to 300 mm insulation boards

ETICS-EIFS-EWI | 250 cm length

Base profile is designed for use with the contact insulation system – ETICS and allows for thermal insulating plates to be installed horizontally. It also features a drip ledge.

*Other dimensions or length on request. | Complies with CPT 3035

 0.80 mm material thickness

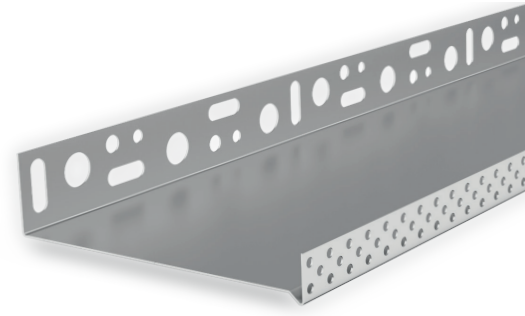
Article Number	Width	Model	Pcs/Bundle
A63039910250	33mm	6303 A	10 pcs
A63049910250	43mm	6304 A	10 pcs
A63059910250	53mm	6305 A	10 pcs
A63069910250	63mm	6306 A	10 pcs
A63079910250	73mm	6307 A	10 pcs
A63089910250	83mm	6308 A	10 pcs
A63109910250	103mm	6310 A	10 pcs
A63129910250	123mm	6312 A	10 pcs
A63149910250	143mm	6314 A	10 pcs
A63169910250	163mm	6316 A	10 pcs
A63189910250	183mm	6318 A	10 pcs
A63209910250	203mm	6320 A	10 pcs

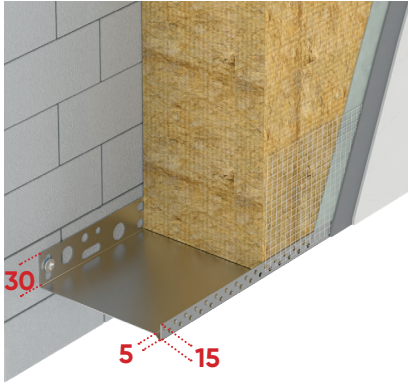
 1.00 mm material thickness

Article Number	Width	Model	Pcs/Bundle
A63039930250	33mm	6303 A	10 pcs
A63049930250	43mm	6304 A	10 pcs
A63059930250	53mm	6305 A	10 pcs
A63069930250	63mm	6306 A	10 pcs
A63079930250	73mm	6307 A	10 pcs
A63089930250	83mm	6308 A	10 pcs
A63099930250	93mm	6309 A	10 pcs
A63109930250	103mm	6310 A	10 pcs
A63129930250	123mm	6312 A	10 pcs
A63149930250	143mm	6314 A	10 pcs
A63169930250	163mm	6316 A	10 pcs
A63189930250	183mm	6318 A	10 pcs
A63209930250	203mm	6320 A	10 pcs
A63229930250	223mm	6322 A	10 pcs
A63249930250	243mm	6324 A	10 pcs

 1.20 mm material thickness

Article Number	Width	Model	Pcs/Bundle
A63109950250	103mm	6310 A	10 pcs
A63129950250	123mm	6312 A	10 pcs
A63149950250	143mm	6314 A	10 pcs
A63169950250	163mm	6316 A	10 pcs
A63189950250	183mm	6318 A	10 pcs
A63209950250	203mm	6320 A	10 pcs
A63229950250	223mm	6322 A	10 pcs
A63249950250	243mm	6324 A	10 pcs
A63269950250	263mm	6326 A	10 pcs
A63289950250	283mm	6328 A	10 pcs
A63309950250	303mm	6330 A	10 pcs





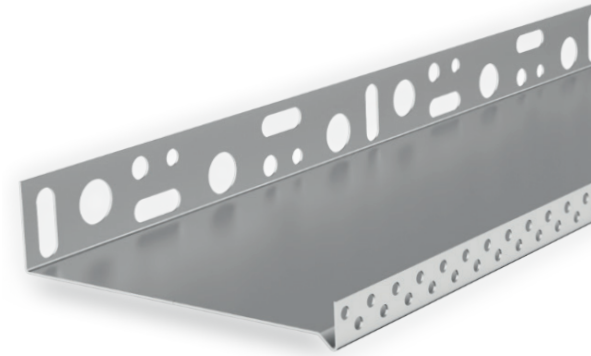
A69 | Natural Aluminium Base Profile

30x15 mm wings | 30 to 300 mm insulation boards

ETICS-EIFS-EWI | 250 cm length

Base profile is designed for use with the contact insulation system – ETICS and allows for thermal insulating plates to be installed horizontally. It also features a drip ledge.

*Other dimensions or length on request.



⊕ 0.50 mm material thickness

Article Number	Width	Model	Pcs/Bundle
A69039500250	33mm	6903 A	10 pcs
A69049500250	43mm	6904 A	10 pcs
A69059500250	53mm	6905 A	10 pcs
A69069500250	63mm	6906 A	10 pcs
A69079500250	73mm	6907 A	10 pcs
A69089500250	83mm	6908 A	10 pcs
A69109500250	103mm	6910 A	10 pcs

⊕ 0.60 mm material thickness

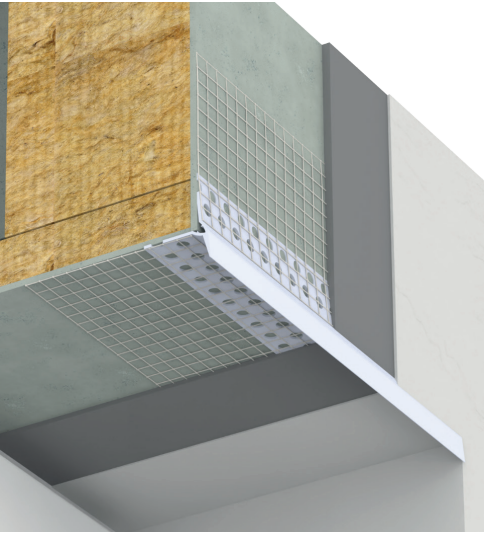
Article Number	Width	Model	Pcs/Bundle
A69039600250	33mm	6903 A	10 pcs
A69049600250	43mm	6904 A	10 pcs
A69059600250	53mm	6905 A	10 pcs
A69069600250	63mm	6906 A	10 pcs
A69079600250	73mm	6907 A	10 pcs
A69089600250	83mm	6908 A	10 pcs
A69109600250	103mm	6910 A	10 pcs
A69129600250	123mm	6912 A	10 pcs

⊕ 0.70 mm material thickness

Article Number	Width	Model	Pcs/Bundle
A69039700250	33mm	6903 A	10 pcs
A69049700250	43mm	6904 A	10 pcs
A69059700250	53mm	6905 A	10 pcs
A69069700250	63mm	6906 A	10 pcs
A69079700250	73mm	6907 A	10 pcs
A69089700250	83mm	6908 A	10 pcs
A69099700250	93mm	6909 A	10 pcs
A69109700250	103mm	6910 A	10 pcs
A69129700250	123mm	6912 A	10 pcs
A69149700250	143mm	6914 A	10 pcs
A69169700250	163mm	6916 A	10 pcs
A69189700250	183mm	6918 A	10 pcs
A69209700250	203mm	6920 A	10 pcs

⊕ 0.80 mm material thickness

Article Number	Width	Model	Pcs/Bundle
A69039910250	33mm	6903 A	10 pcs
A69049910250	43mm	6904 A	10 pcs
A69059910250	53mm	6905 A	10 pcs
A69069910250	63mm	6906 A	10 pcs
A69079910250	73mm	6907 A	10 pcs
A69089910250	83mm	6908 A	10 pcs
A69099910250	93mm	6909 A	10 pcs
A69109910250	103mm	6910 A	10 pcs
A69129910250	123mm	6912 A	10 pcs
A69149910250	143mm	6914 A	10 pcs
A69169910250	163mm	6916 A	10 pcs
A69189910250	183mm	6918 A	10 pcs
A69209910250	203mm	6920 A	10 pcs



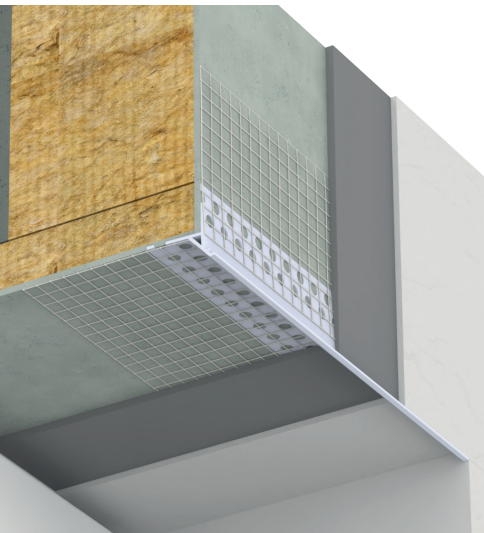
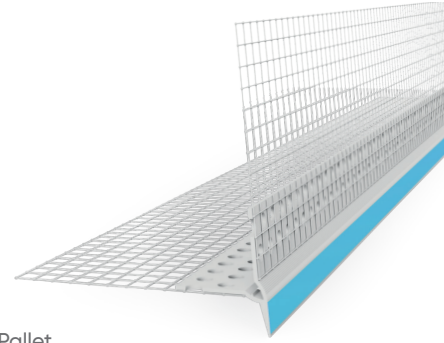
PE6100

PVCu
Drip Bead
with mesh

ETAG 004 certificated | 145 g/m² glass fibre mesh
ETICS-EIFS-EWI | Visible Edge

PE6100 drip bead with visible drip-edge and glass fibre mesh for finishing plasters and water drainage at window heads, also can be used as a drip bead for balconies.

Article Number	Corner Bead Wing(LxR)	Profile weight	Mesh Colour	Mesh Width(axb)	Lengths	Pack/Pallet
PE61004W8	25x25 mm	115 g/m	White	10x10 cm	250, cm	25pcs/36cts



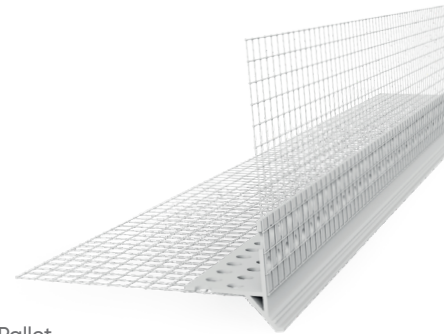
PE6105

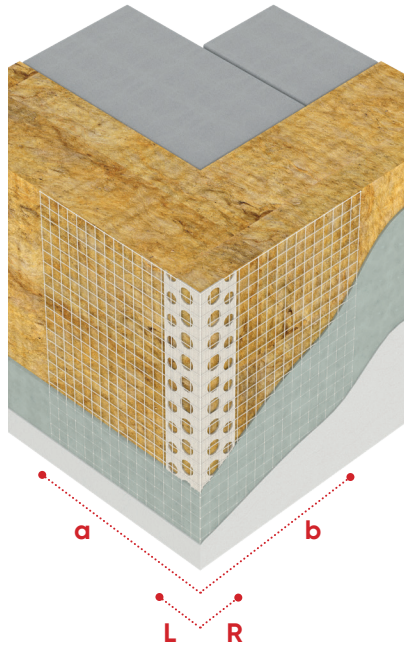
PVCu
Drip Bead
with mesh

ETAG 004 certificated | 145 g/m² glass fibre mesh
ETICS-EIFS-EWI | Invisible Edge

PE6105 drip bead with invisible drip-edge (hidden under plaster) and glass fibre mesh for finishing plasters and water drainage at window heads, also can be used as a drip bead for balconies.

Article Number	Corner Bead Wing(LxR)	Profile weight	Mesh Colour	Mesh Width(axb)	Lengths	Pack/Pallet
PE61054W8	27x23 mm	115 g/m	White	10x10 cm	250 cm	25pcs/36cts



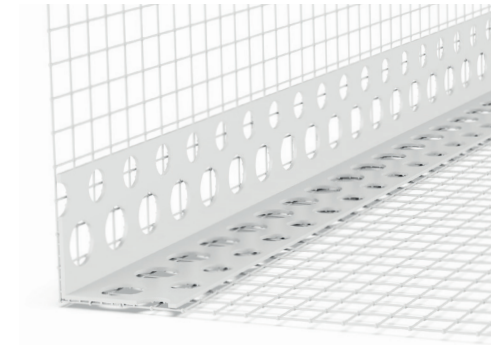


PE145

PVCu
Corner Bead
with mesh

ETAG 004 certificated | 145 g/m² glass fibre mesh
ETICS-EIFS-EWI

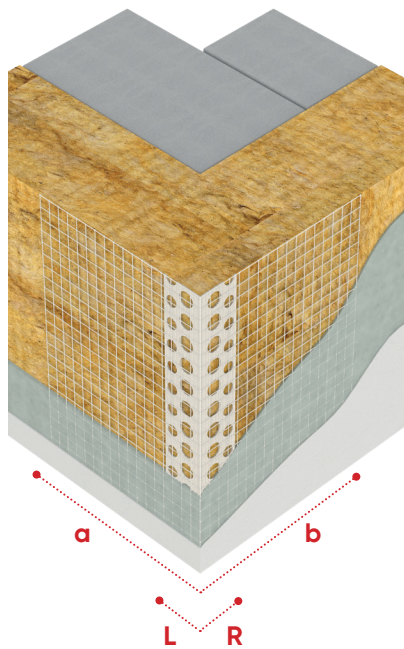
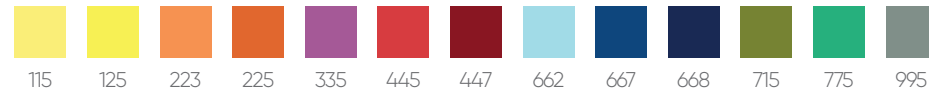
Protects and reinforces the corners of the insulation boards.
The profile to create exact edges in thermal insulation systems.
The mesh to ensure that there are no cracks in the render.



Article Number	Corner Bead Wing(LxR)	Profile weight	Mesh Colour	Mesh Width(axb)	Lengths	Pack/Pallet
PE14551W1	22x22 mm	51 ± 2 g/m	White	10x30 cm	200, 250, 300 cm	50pcs/20cts
PE14552W8	22x22 mm	51 ± 2 g/m	White	10x23 cm	200, 250, 300 cm	50pcs/28cts
PE14553W8	22x22 mm	51 ± 2 g/m	White	10x15 cm	200, 250, 300 cm	50pcs/36 cts
PE14554W8	22x22 mm	51 ± 2 g/m	White	10x10 cm	200, 250, 300 cm	50pcs/42 cts
PE14555W8	22x22 mm	51 ± 2 g/m	White	8x12 cm	200, 250, 300 cm	50pcs/42cts



! For other mesh color options
MOQ 90.000 meters

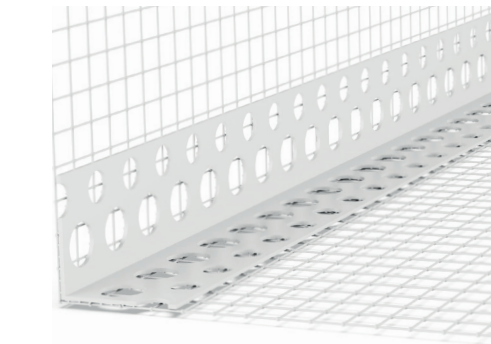


PC110

PVCu
Corner Bead
with mesh

110 g/m² glass fibre mesh
ETICS-EIFS-EWI

Protects and reinforces the corners of the insulation boards.
The profile to create exact edges in thermal insulation systems.
The mesh to ensure that there are no cracks in the render.



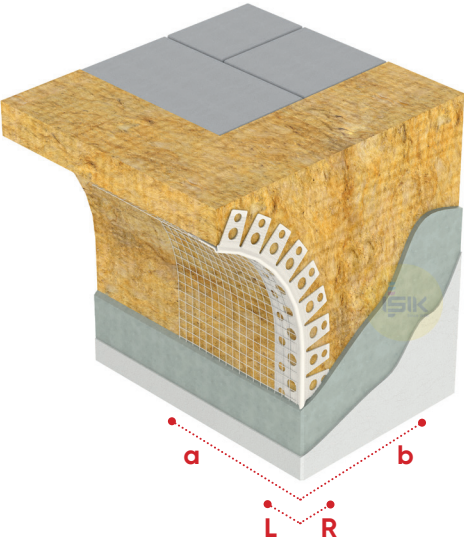
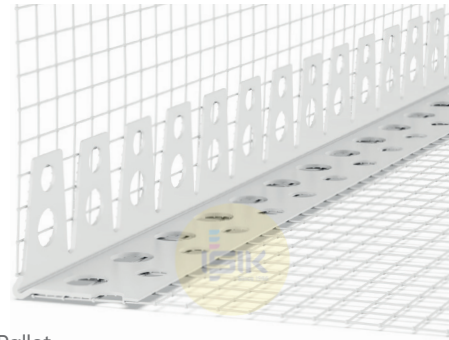
Article Number	Corner Bead Wing(LxR)	Profile weight	Mesh Colour	Mesh Width(axb)	Lengths	Pack/Pallet
PC11044W8	23x23 mm	55 g/m	White	10x10 cm	200, 250, 300 cm	50pcs/60cts (PC11044W1: 50pcs/110fbg)
PC11045W8	23x23 mm	55 g/m	White	8x12 cm	200, 250, 300 cm	50pcs/64cts
PC11084W1	19x19 mm	40 g/m	White	10x10 cm	200, 250, 300 cm	50pcs/120 fbg

PA145

PVCu
Arch Bead
with mesh

ETAG 004 certificated | 145 g/m² glass fibre mesh
ETICS-EIFS-EWI

Protects and reinforces the arch corners of the insulation boards.



Article Number	Corner Bead Wing(LxR)	Profile weight	Mesh Colour	Mesh Width(axb)	Lengths	Pack/Pallet
PA14533W8	25x25 mm	55 g/m	White	10x15 cm	200, 250, 300 cm	50pcs/28cts
PA14534W8	25x25 mm	55 g/m	White	10x10 cm	200, 250, 300 cm	50pcs/50cts

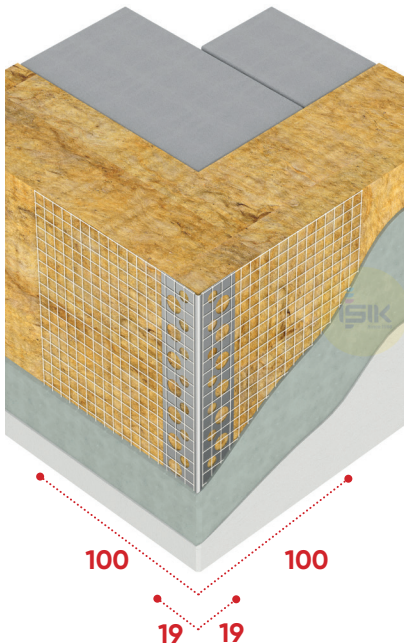
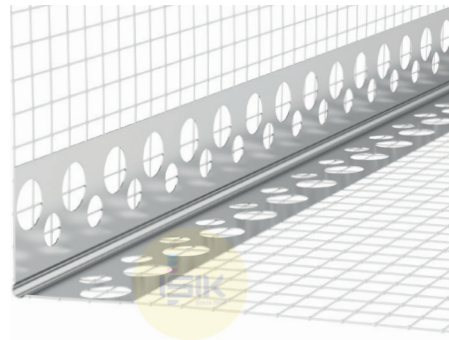


AC110

Aluminium
Corner Bead
with mesh

110 g/m² glass fibre mesh
ETICS-EIFS-EWI

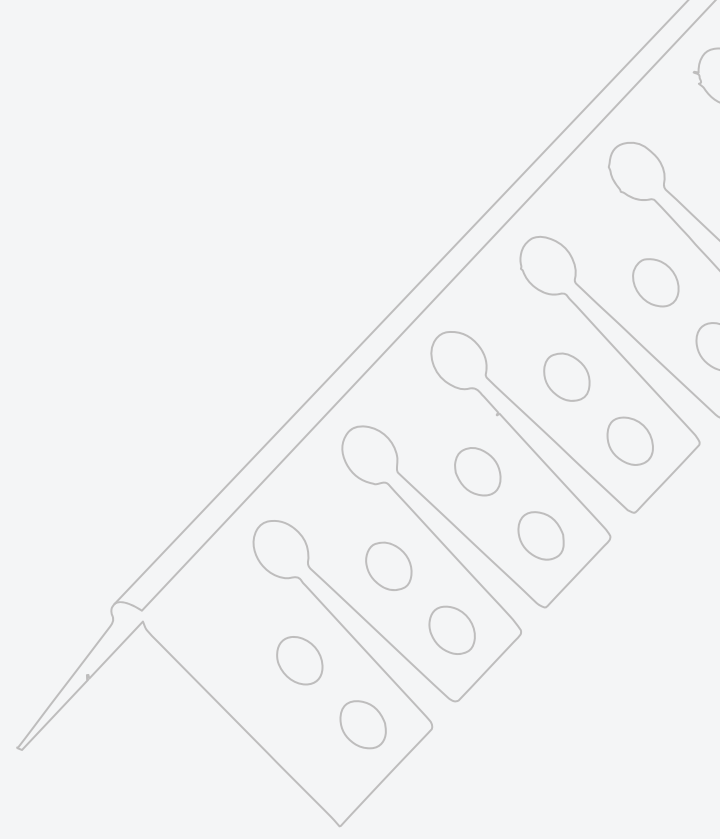
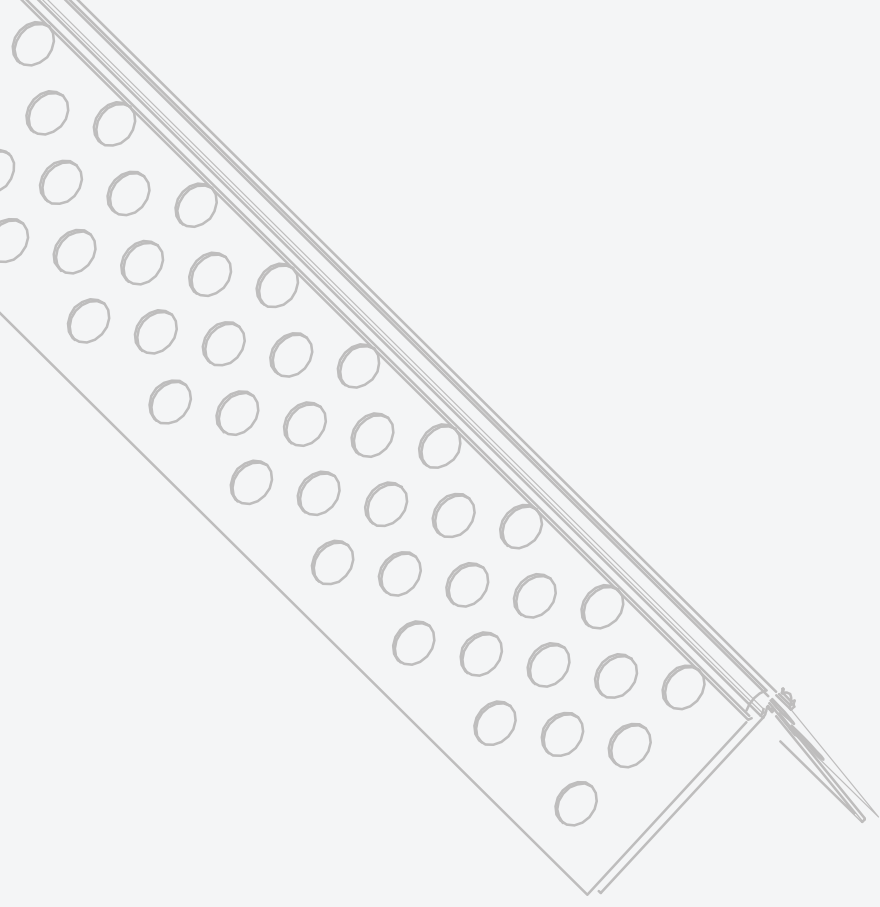
Protects and reinforces the corners of the insulation boards.
The profile to create exact edges in thermal insulation systems.
The mesh to ensure that there are no cracks in the render.



Article Number	Corner Bead Wing(LxR)	Mesh Colour	Mesh Width(axb)	Lengths	Pack/Pallet
AC11090T7	19x19x0.28 mm	Orange	10x10 cm	50 pcs	50pcs/110fbg

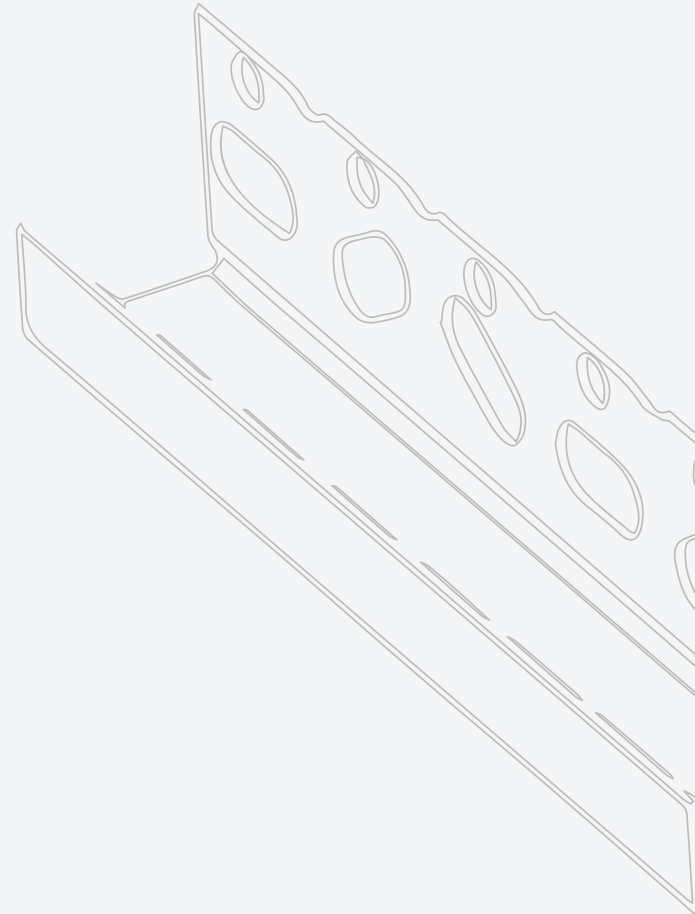
- IŞIK guarantees, within general business terms, the proper material quality and the careful manufacture of the profiles.
- No responsibility or liability is accepted for errors or information that is found to be misleading. Suggestions, descriptions and application advises are only for information and IŞIK accepts no liability in respect thereof.
- Because the composition and the chemical and physical properties of the plasters applied are out of our control, no guarantee can be accepted for the resistance of the profiles against corrosion. The compatibility of the plaster with the profiles must be ensured.
- Varying factors in the application of plaster make it necessary to adapt to the individual working conditions from case to case. This is the responsibility of the buyer. The term of guarantee for plaster profiles is six months, in compliance with the legal regulations on sales contracts, and begins on the date of delivery.
- Practical tests are the safest way to avoid possible mistakes, for which no guarantee can be given. Corrosion can only occur if the plasters are under permanent influence of humidity or if they dry too slowly. Make sure the plaster dries quickly by airing well.
- Storage and application instructions must always be observed and followed.
- Metal corrosion is caused by chlorides, carbon dioxide or a combination of moisture and oxygen. This can lead to the following different types of corrosion:

Type of Corrosion	Apperance	Cause
General corrosion	Brown	Steel with no protective coating exposed to the air
Pitting corrosion	Brown/white	Effect of corrosion stimulators (e.g.chlorides) on metals, including stainless steel.
Contact corrosion	Brown/white	Contact between two different metals causing the less noble one to corrode.
White rust	White	Corrosion of aluminium.
Rust film	Orange/ brown	Incipient surface corrosion in a thin layer. Often caused by moisture during storage or use.
Crevice corrosion	Brown	Caused by crevices in the metal surface.
Interlayer corrosion	Detachment of surface layer	Corrosion in the contact and surface layer,adhesion zone between metal surface and surface layer. Caused by corrosive behaviour of surface layer.



Gebze Plastikçiler Organize Sanayi Bölgesi
Atatürk Bulvarı 11. Cad. No:9
41400 **Gebze, Kocaeli | Türkiye**
T: +90 262 502 16 60

www.isikgroup.com
isikgroup@isikgroup.com



IŞIK reserves the right to change information contained within this brochure at any time.