

TECHNICAL DATA SHEET



Document No: TDS.A1040

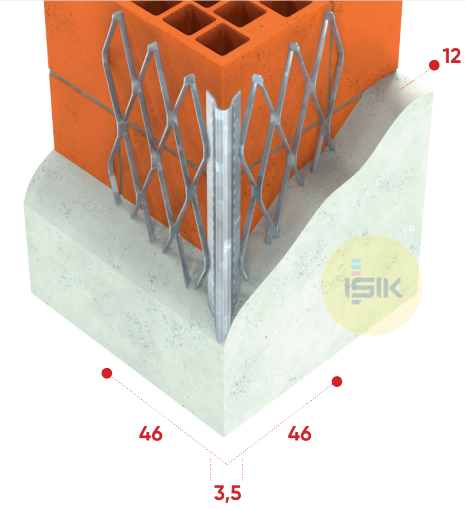
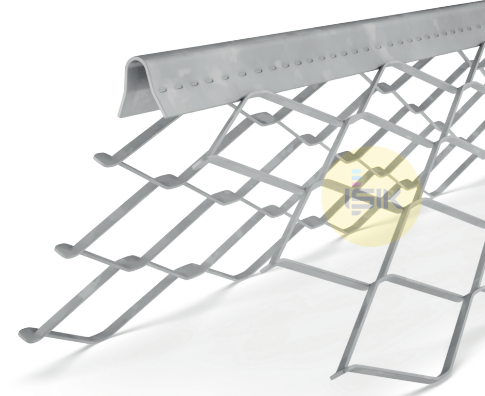
Revision No: 01

A1040 Corner Bead

■ Product Range	Plaster Profiles
■ Application	Interior Plaster
■ Product Type	6 Mesh Corner Bead Round Edge
■ Plaster Thickness	12 mm
■ Material	Aluminium Natural
■ Material Thickness	0,50 mm
■ Wings /Length	46x46 mm
■ Reaction to Fire	Class A1
■ Length Options	250, 260, 270, 275, 280, 300 cm
■ Art Nr.	A10409500 A10409501
■ Packaging	25 pcs/bun 50 pcs/cts

Remarks:

This technical data sheet replaces all previous versions. Işık reserves the right to modify products without prior notice. Please rely on the application assembly and storage guidelines.



MANUFACTURER:

Gebze Plastikçiler OSB, Atatürk Bulvarı 11.
Cad. No:9 Gebze 41400, Kocaeli - Türkiye
T: +90 262 502 16 60
isikgroup.com