

TECHNICAL DATA SHEET

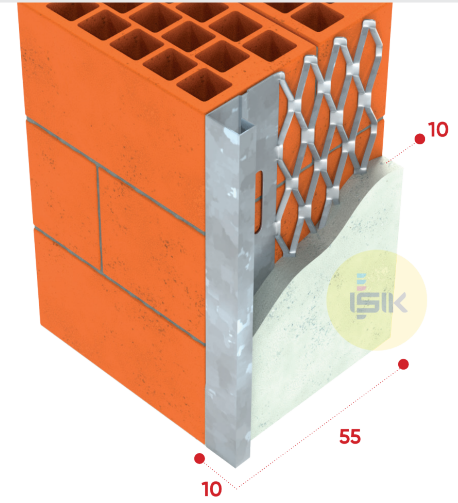
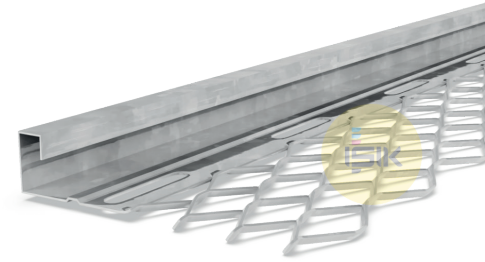


Document No: TDS.A1220

Revision No: 00

A1220 Stop Bead

■ Product Range	Plaster Profiles
■ Application	Interior Plaster
■ Product Type	7 Mesh - Stop Bead Expanded Mesh
■ Plaster Thickness	10 mm
■ Material	Aluminium Natural
■ Material Thickness	0,60 mm
■ Wings /Length	10x55 mm
■ Standards	EN 13658-1
■ Reaction to Fire	Class A1
■ DOP Reference	DOP.A1220
■ Length Options	270, 300 cm
■ Art Nr.	A12209601
■ Packaging	50 pcs/ cts



Remarks:

This technical data sheet replaces all previous versions. Işık reserves the right to modify products without prior notice. Please rely on the application assembly and storage guidelines.



MANUFACTURER:

Gebze Plastikçiler OSB, Atatürk Bulvarı 11.
Cad. No:9 Gebze 41400, Kocaeli - Türkiye
T: +90 262 502 16 60
isikgroup.com