

TECHNICAL DATA SHEET



Document No: TDS.G1030

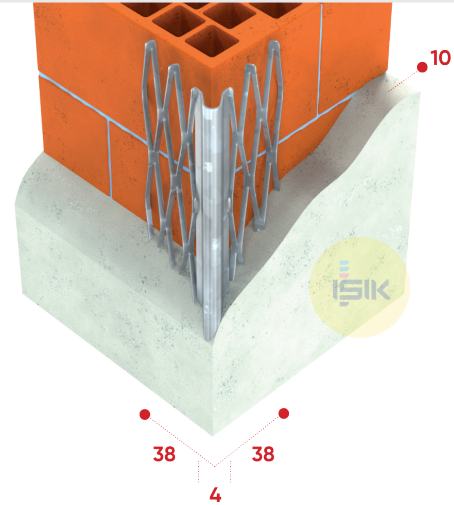
Revision No: 00

G1030 Corner Bead

■ Product Range	Plaster Profiles
■ Applications	Interior Plaster
■ Product Type	5 Mesh Corner Bead
■ Plaster Thickness	10 mm
■ Material	Galvanized Sheet Steel DX51D+Z to EN 10142
■ Coating /Finish /Colour	275 g/m ² Zinc Coating
■ Material Thickness	0,50 mm
■ Wings /Length	34x34 mm
■ Standards	EN 13658-1
■ Reaction to Fire	Class A1
■ DOP Reference	DOP.G1030
■ Length Options	180, 200, 220, 225, 250, 260, 270, 275, 280, 300 cm
■ Art Nr.	G10305500 G10305501
■ Packaging	25 pcs/bun 50 pcs/cts

Remarks:

This technical data sheet replaces all previous versions. Işık reserves the right to modify products without prior notice. Please rely on the application assembly and storage guidelines.



MANUFACTURER:
Gebze Plastikçiler OSB, Atatürk Bulvarı 11.
Cad. No:9 Gebze 41400, Kocaeli - Türkiye
T: +90 262 502 16 60
isikgroup.com