

# TECHNICAL DATA SHEET



Document No: TDS.G1071-55

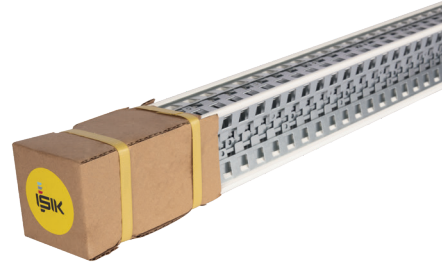
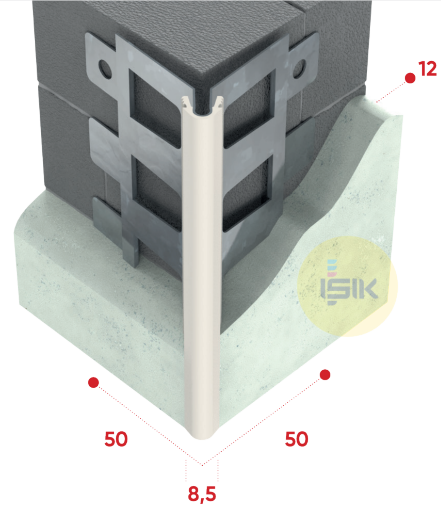
Revision No: 00

## G1071 Corner Bead With PVC Nose

■ Product Range	Plaster Profiles
■ Applications	Exterior Plaster
■ Product Type	Square Hole Corner Bead with PVC white-nose
■ Plaster Thickness	12 mm
■ Material	Galvanized Sheet Steel DX51D+Z to EN 10142
■ Coating /Finish /Colour	275 g /m <sup>2</sup> Zinc Coating
■ Material Thickness	0,50 mm
■ Wings /Length	50x50 mm
■ Standards	EN 13658-2
■ Reaction to Fire	Class E
■ DOP Reference	DOP.G1071
■ Length Options	225, 250, 260, 270, 275, 280, 300 cm
■ Art Nr.	G107155W3
■ Packaging	15pcs/bun

### Remarks:

This technical data sheet replaces all previous versions. İşik reserves the right to modify products without prior notice. Please rely on the application assembly and storage guidelines.



### MANUFACTURER:

Gebze Plastikçiler OSB, Atatürk Bulvarı 11.  
Cad. No:9 Gebze 41400, Kocaeli - Türkiye  
T: +90 262 502 16 60  
isikgroup.com