

TECHNICAL DATA SHEET

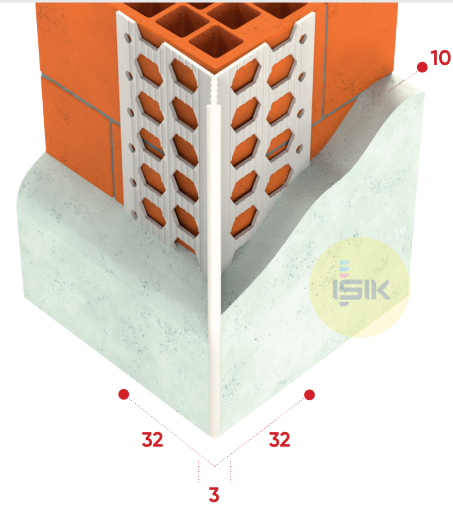
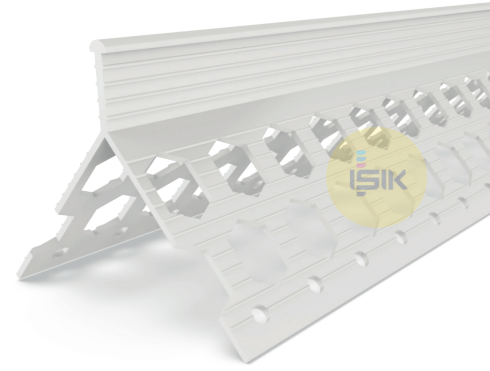


Document No: TDS.P1000

Revision No: 01

P1000 Corner Bead

■ Product Range	Plaster Profiles
■ Applications	Interior - Exterior Plaster
■ Product Type	Corner Bead Visible Nose
■ Plaster Thickness	10 mm
■ Visible Nose	3 mm
■ Material	PVCu
■ Material Color	White
■ Material Weight	115 ± 2 g/m
■ Wings /Length	32x32 mm
■ Reaction to Fire	Class E
■ Length Options	250, 300 cm
■ Art Nr.	P100000W8
■ Packaging	25 pcs/cts



Remarks:

This technical data sheet replaces all previous versions. Işık reserves the right to modify products without prior notice. Please rely on the application assembly and storage guidelines.



MANUFACTURER:

Gebze Plastikçiler OSB, Atatürk Bulvarı 11.
Cad. No:9 Gebze 41400, Kocaeli - Türkiye
T: +90 262 502 16 60
isikgroup.com