



Technical Data Sheet

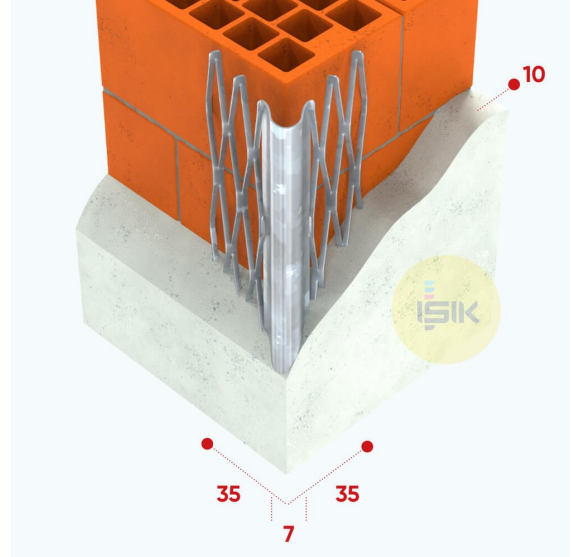
Document No: TDS.G1000

Revision No: 00

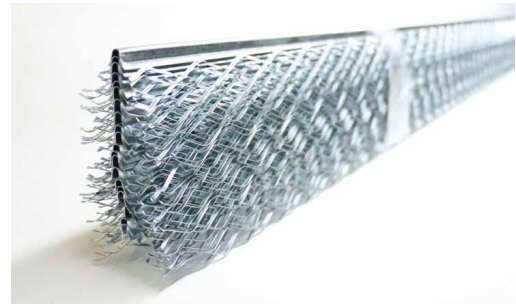
Page : 1 of 1

G1000 Corner Bead

Product Range	Plaster Profiles
Applications	Interior Plaster
Product Type	5 Mesh Corner Bead
	Round Edge
Plaster Thickness	10 mm
Material	Galvanized Sheet Steel DX51D+Z to EN 10142
Coating /Finish /Colour	275 g /m ³ Zinc Coating
Material Thickness	0,50 mm
Wings /Length	35x35 mm
Standards	EN 13658-1
Reaction to Fire	Class A1
DOP Reference	DOP.G1000
Length Options	150, 160, 180, 200, 220, 225, 240, 250, 260, 270, 275, 280, 300 cm



Art Nr.	Packaging
G10005500	25 pcs/ bun
G10005501	50 pcs/ cts



Remarks:

This technical data sheet replaces all previous versions. IŞIK reserves the right to modify products without prior notice. please rely on the application assembly and storage guidelines.

IŞIK

Perde Rayları

San. ve Tic. A.Ş.

Gebze Plastikçiler OSB

11. Cadde No: 9

Gebze / KOCAELİ

Tel: +90 262 502 16 60

Fax: +90 262 502 16 61

isikgroup@isikgroup.com