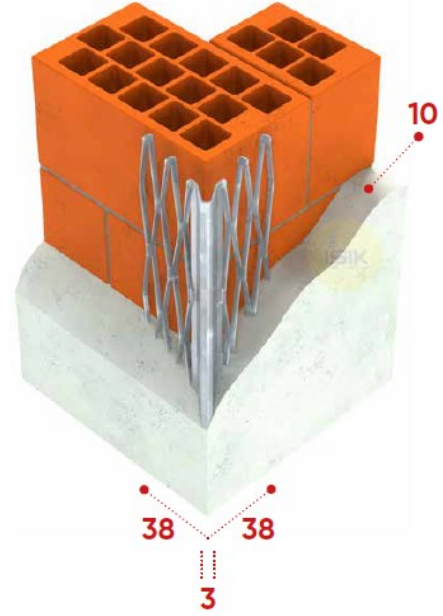


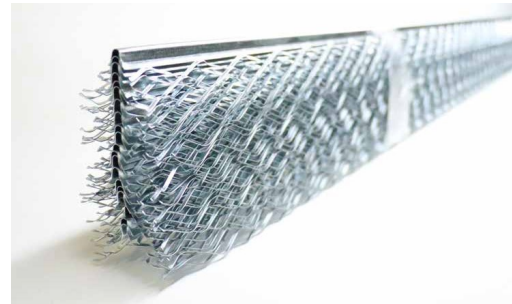


G1010 Corner Bead

Product Range	Plaster Profiles
Applications	Interior Plaster
Product Type	5 Mesh Corner Bead Mini-Round Edge
Plaster Thickness	10 mm
Material	Galvanized Sheet Steel DX51D+Z to EN 10142
Coating /Finish /Colour	60 g /m ³ Zinc Coating
Material Thickness	0,35 mm
Wings /Length	38x38 mm
Reaction to Fire	Class A1
Length Options	150, 160, 180, 200, 220, 225, 240, 250, 260, 270, 275, 280, 300 cm



Art Nr.	Packaging
G10100200	25 pcs/ bun
G10100202	100 pcs/ cts



Remarks:

This technical data sheet replaces all previous versions. Işık reserves the right to modify products without prior notice. please rely on the application assembly and storage guidelines.