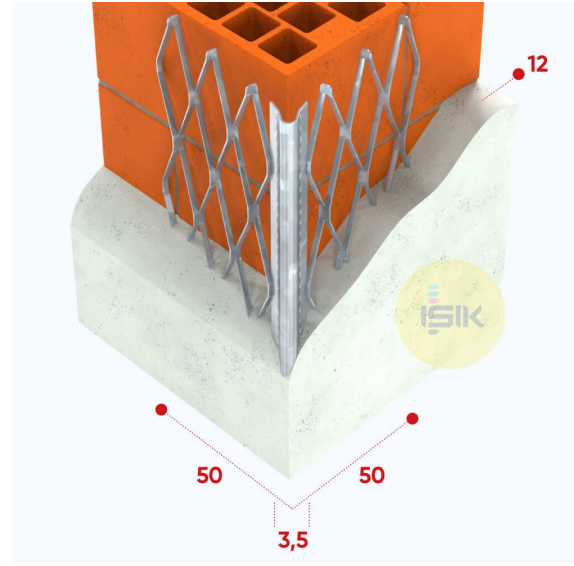
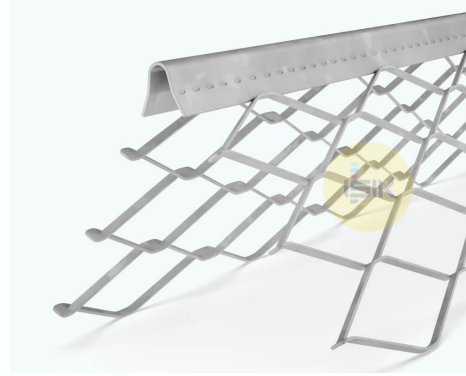


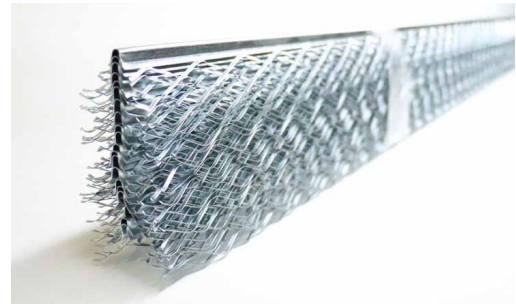


G1040 Corner Bead

Product Range	Plaster Profiles
Applications	Interior Plaster
Product Type	6 Mesh Corner Bead Round Edge
Plaster Thickness	12 mm
Material	Galvanized Sheet Steel DX51D+Z to EN 10142
Coating /Finish /Colour	100 g /m ³ Zinc Coating
Material Thickness	0,40 mm
Wings /Length	50x50 mm
Reaction to Fire	Class A1
Length Options	250, 260, 270, 275, 280, 300 cm



Art Nr.	Packaging
G10401300	25 pcs/ bun
G10401301	50 pcs/ cts



Remarks:

This technical data sheet replaces all previous versions. Işık reserves the right to modify products without prior notice. please rely on the application assembly and storage guidelines.