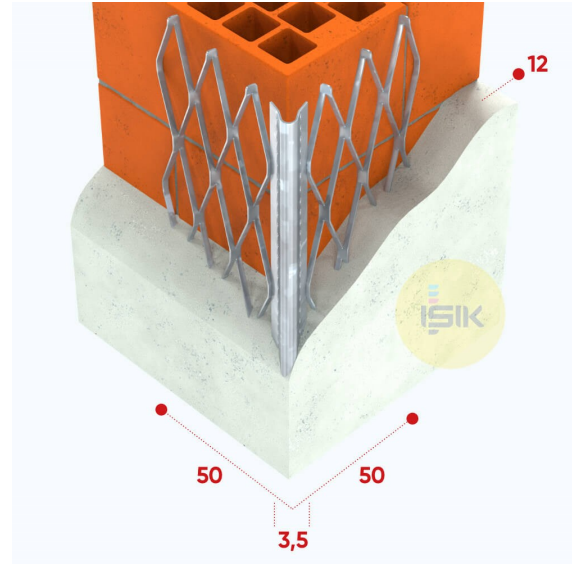
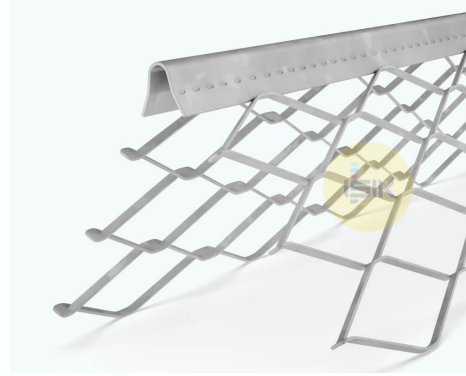


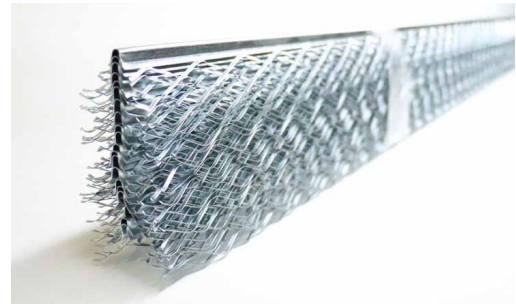


## G1040 Corner Bead

<b>Product Range</b>	Plaster Profiles
<b>Applications</b>	Interior Plaster
<b>Product Type</b>	6 Mesh Corner Bead Round Edge
<b>Plaster Thickness</b>	12 mm
<b>Material</b>	Galvanized Sheet Steel DX51D+Z to EN 10142
<b>Coating /Finish /Colour</b>	275 g /m <sup>3</sup> Zinc Coating
<b>Material Thickness</b>	0,50 mm
<b>Wings /Length</b>	50x50 mm
<b>Standards</b>	EN 13658-1
<b>Reaction to Fire</b>	Class A1
<b>DOP Reference</b>	DOP.G1040
<b>Length Options</b>	250, 260, 270, 275, 280, 300 cm



<b>Art Nr.</b>	<b>Packaging</b>
G10405500	25 pcs/ bun
G10405501	50 pcs/ cts



### Remarks:

This technical data sheet replaces all previous versions. IŞIK reserves the right to modify products without prior notice. please rely on the application assembly and storage guidelines.